

INCLUSION

PALERMO



INGENUITY

Rehabilitation



JANTON

your vision, our solutions

by eqwal

CONTENTS

Sports & Leisure

Pages 8 & 9 **Multi-sports shells**

Pages 10 & 11 **Rambling**

Pages 12 & 13 **Horse riding**

Janton complete solutions

Pages 16 to 19 **Seated position**

Pages 20 to 25 **Perambulation**

Frames

Pages 28 to 49 **Seated position**

Pages 50 to 71 **Standing device**

Pages 72 to 77 **Segmented standing device**

Pages 78 to 81 **Perambulation**

Accessories

Pages 84 to 101

References	Pages
RAVBER-V100	66
RAVELIX-C100N	39
RAVELIX-C200N	39
RAVLIT-V100	55
RAVMEO-C100N	37
RAVMEO-C100N	45
RAVMEOF-C100N	37
RAVOCS22A2	84
RAVOCS22B1	84
RAVOCS22B2	84
RAVOCS22BP	86
RAVOCS22C2	84
RAVOCS22D1	84
RAVOCS22D2	84
RAVOCS5-A1	87
RAVOCS7	94
RAVOCS7AS	94
RAVOCS7DP	94
RAVOCS7F	95
RAVOCS8-1	90
RAVOCS8-10	91
RAVOCS8-11	91
RAVOCS8-12-30	91
RAVOCS8-14	92
RAVOCS8-14C	92
RAVOCS8-15	92
RAVOCS8-16B	89
RAVOCS8-16TR	89
RAVOCS8-17	93
RAVOCS8-1C	90
RAVOCS8-2	90
RAVOCS8-2C	90
RAVOCS8-3	90
RAVOCS8-3C	90
RAVOCS8-7	97
RAVOCS8-8	97
RAVOCS8-9	96
RAVOCS9-1	99
RAVOCS-C100	88
RAVOCS-C101	88
RAVOCS-C102	88
RAVOCS-C103	88
RAVOCS-C111	88
RAVOCS-C112	88
RAVOI1	100
RAVOI10-614157	101
RAVOI10-614207	101
RAVOI10-614307	101
RAVOI12-163190	101
RAVOI2	100
RAVOI3	100
RAVOI4-185250	101
RAVOI4-254250	101
RAVOI5-164250	101
RAVOI6-164250	101
RAVOI6-164300	101
RAVOI7	100
RAVOI8	100
RAVOI9I	100

References	Pages
RAVPIG-V100	57
RK001	99
STW2	20
T00K	22
T00K	79
T10K	22
T10K	79
T130-20-1	99
T130C-100	47
T130C-200	47
T160-300-2	49
T160-301-2	49
T190112	95
T20K	22
T20K	79
T30K	79
T5-1	69
T5-2	69
T5-3	69
T60120	93
T61-C100	43
T61-C101	43
T62-C100	41
T62-V100	53
T63-C100	35
T63-V100	51
T64-0	61
T64-1	63
T6425	96
T64-2N	65
T64SEG-0	75
T64SEG-1	75
T65-C100	45
T66-C100	31
T67K-1	81
T67K-2	81
T68-1	59
T68SEG-1	73
T68SEG-V1	73
T68-V1	59
T69-C100N	29
T75	88
T79B	89
T79N-1	89
T79TR	89
T8A	84
T8A-3	85
T8B	84
T8C	84
T8D	85
T8E-1	85
T8F-1	85
T8G-1	85
T8H-1	85
T8J	86
T8K	86
T90100	91
T90106	97
T90110	94

References	Pages
T90114	93
T90116	93
T90120-M	99
T90121	86
T90122-20	92
T90127	92
T90128	97
T90131K	97
T90132-18	93
T90135-18	92
T90200	92
T90250A	87
T90250C	87
T90251-1	87
T90252-1	87
T90252A	87
T90252-A	87
T90252A-1	87
T90-C102	96
T90-C103	96
T90-C104	96
T90-C106	96
T90-C109	86
T90-C110	86
T90-C111	86
T90-C112	99
T90-C113	98
T90-C114	98
TVH1	71
TW1-300-1	33
TW1-300-2	33
X04-50	99
X21-N3	89

Non-contractual photos, all products shown in the "Frames" category are sold without the corset-saddle or standing shell. CE frames in accordance with Regulation 2017/745/EU.





CONTENTS

Sports & Leisure

Multi-sports shells

Carbon shells

Original	p. 8
Performance	p. 8
High Sports Performance	p. 9

Rambling

Wheelchair

Trace Rando	p. 10
-------------------	-------

Horse riding

Hippolib	p. 12
----------------	-------

Multi-sports shells

Original Shell

Discover new sports sensations

Designed to offer a good balance of comfort and functionality, this shell lets you discover new sensations when participating in your leisure and sports activities. Available in sizes 32 to 48, it is perfectly suited to very user's needs.

- Increased frame responsiveness
- Compatible with most chairs thanks to the mounting flanges
- Optimum positioning



Download the measurements sheet

Original Shell	
Description	Sports shell with removable seat cushion
Material and colour	Black carbon
Sizes	32 to 48
Patient data	Child - Adult



Performance Shell

Combine precision, comfort and sensations

The Performance shell improves the precision of your movements thanks to its increased rigidity and support, ideal for progressing in sports. Adapted to the user's measurements, its design ensures a precise fit. The profiled front part gives your legs support during your activities.

- Adapted to the measurements and needs of the most exacting users
- Compatible with most chairs thanks to the mounting flanges
- Optimum positioning and support for legs



Download the measurements sheet

Performance Shell	
Description	Sports shell with removable seat cushion
Material and colour	Black carbon
Sizes	Custom-made
Patient data	Child - Adult



COQUE SPORT

High Performance Sports Shell

Your tool synchronised to your morphology: enjoy a tailor-made sports experience

Designed for elite athletes, it integrates advanced personalisation options and offers you a tailor-made experience thanks to perfect synchronisation with your sports tool.

To design a HPS shell, we support you with a dedicated team of occupational therapists, ortho-prosthesis and an industrial design office. Each shell is entirely custom-made to guarantee comfort and outstanding sports performance.

- Feasibility study and drafting of specifications
- 3D scanning of the sports tool and user
- Production of prototype, shell adjustment during fittings and validation tests



Complete the contact form



Universal mounting flanges

Designed for the Sports Shells range, mounting flanges make it possible to adapt the shells to most sports wheelchairs. Assembly and adjustments are simplified, requiring no modification on the existing frame.



Made of carbon

Designed in carbon, the shells provide a stable seat without no deformation, guaranteeing optimum comfort.

The **light weight** and **strength** of the carbon allow the chair to be more **responsive**, so improving user experience.

SPORTS & LEISURE

Rambling



Why?

Thanks to its 3-wheel frame, the TraceR has considerable manoeuvrability and stability on all terrain. Its long, front boom, large-diameter wheel and reinforced fork allow you to easily overcome any obstacles. Equipped with an adjustable MTB shock absorber (Rock Shox) and a carbon seat, it provides optimum comfort.



Find all accessories in this QR code



Who for?

The TraceR is for people with reduced mobility who want to participate in outdoor activities as a disabled/able-bodied pair or on their own (walks, rambles etc.)

Trace Rando

All-terrain mobility

Discover the TraceR wheelchair, designed for your outdoor activities, as a disabled/able-bodied pair or on your own.

- 3-wheel design guaranteeing easy handling on difficult terrain
- Comfortable and lightweight thanks to its carbon seat and adjustable, lockable suspension
- Easily removable rambling boom



TraceR	Description
Type	3-wheel wheelchair with front boom and scissor lock brake kit
Composition of refs.	Trace frame, front rambling boom, pushing handle, carbon seat shell, positioning blocks, quick mounting kit, Rock Shox shock absorber, seat adjustment cord, 8" front pneumatic wheel, 25" rear wheels with MTB tyres
Frame colours	BK
Wheel colours	Black
Patient data	Weight limit: 90 kg / Size 40 (other sizes available on request)

*As a guide



Partner of the
French Disabled
Sports Federation

Image: A. ZIKRIA - Fédération Française Handisport

Hippolib add-ons



Hippolib module



V-TRAK small backrest



V-TRAK large backrest



Lower backrest



Evazote shock absorber



Saddle blanket



Hippodrive



Hippogel



Transport bag

Add-ons	Hippolib arrangements			
	Complete U1-300LS	V-Trak large U1-301L	V-Trak small U1-301S	Lower backrest U1-302
Hippolib module	✓	✓	✓	✓
V-TRAK small backrest	✓	-	✓	-
V-TRAK large backrest		✓	-	-
Lower backrest	✓	-	-	✓
Evazote shock absorber	✓	✓	✓	✓
Saddle blanket	✓	✓	✓	✓
Hippodrive (Ref. U1-206)	Optional			
Hippogel (Ref. U1-207)	Optional			
Transport bag (Ref. U1-054HIP)	Optional			

HIPPOLIB

Horse riding made accessible for everyone

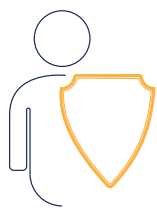
Educational saddle device for people with a disability.

Hippolib is an educational saddle device that is the fruit of a collaboration between the equestrian world and the disability sector. It offers people with a disability a secure solution for learning to ride, or for getting back in the saddle.



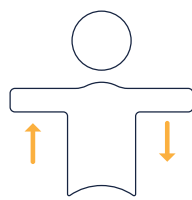
By who?

Research has been carried out by the ENE and CAIPS in collaboration and funded by the Ministry of Sports. An instructor from the Saumur Cadre Noir corps at the French military riding academy and a Handisport disabled rider were involved in the development, testing prototypes. Manufactured by Janton, Hippolib represents an innovation in the equestrian sector.



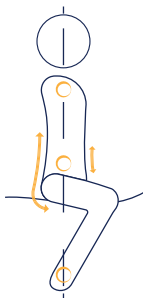
Safety

- Optimum support
- Automatic release of the rider in the event of a problem



Seat

- Validated by a bidimensional, kinematic design
- Helps with the development of balance



Positioning

- Dorsal and ventral supports adaptable to the morphology of the rider
- Allows posture alignment: shoulders, centre of gravity and heels



Installation

- Quick and easy installation
- Module compatible with most British saddles

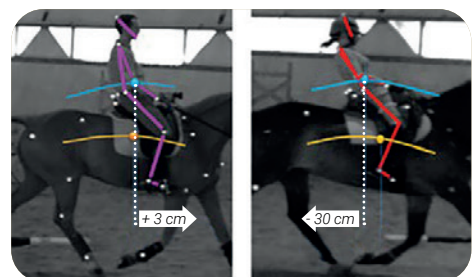
Who for?

Adapted horse riding offers significant benefits to persons with reduced mobility, in particular to paraplegics, individuals with multiple disabilities and those with mental or psychological disorders.

Why?

"The primary quality of Hippolib equipment had to minimise the difference between horse CoG¹ and rider CoG¹ and so avoid having to train the horse to accept the particular position of its disabled rider."

Source: ©IFCE - "Equipements modulables d'accessibilité à la pratique de l'équitation et du canoë-kayak pour personnes en situation de handicap" by François DURAND, (CREPS de Poitiers) - 2020.
¹CoG: centre of gravity



Longitudinal difference



CONTENTS

Janton complete solutions

Seated position

Wheelchairs

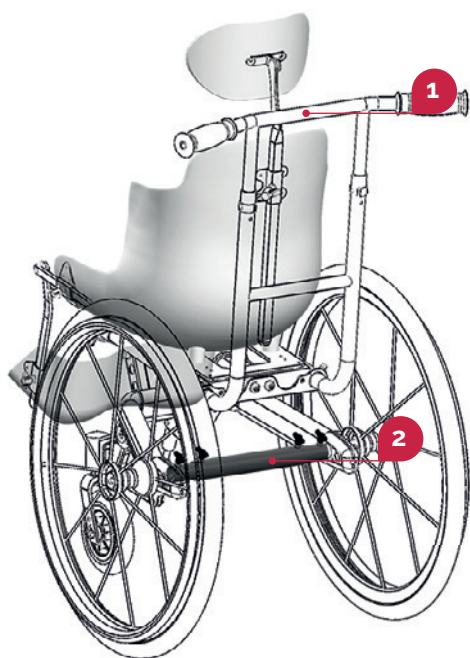
Trace Kids	p. 16
TraceS	p. 18

Perambulation

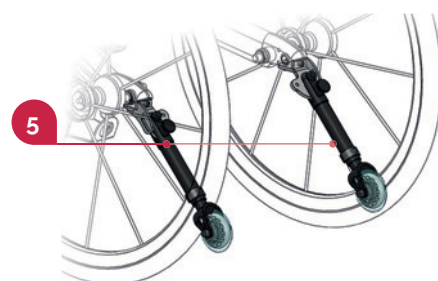
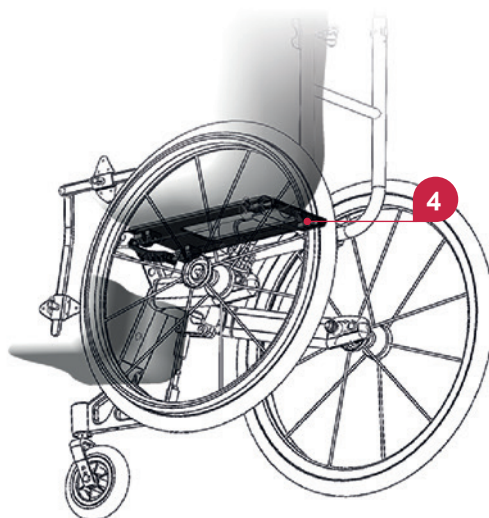
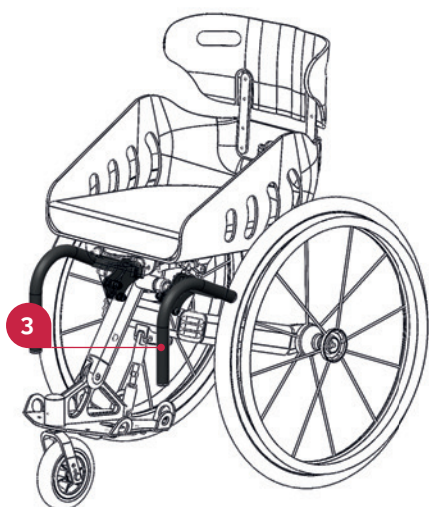
YAO	p. 20
Motilo Style	p. 22
Motilo Original	p. 22
Triskelo	p. 24



Seated position - Wheelchairs



Credit: Julien PANIE - Nolita Onéma



Download
the order form

	Types	References
	TraceK (frame + shell or seat corset)	TraceK
1	Trace handlebar	U2-301
2	Rear bar for electric assistance	U2-224
3	Front horns for electric assistance	U2-225
4	Rapid seat installation kit	U2-203
5	Right and left anti-tip wheel kit	U2-215
		Indicate the dimension by L or R in the reference, e.g.: U2-215L

Find all Trace
accessories
in the QR Code




Trace Kids

The comfort of made-to-measure

Trace Kids is designed to support the youngest in their activities in complete safety by offering them optimum comfort and great freedom of movement. Thanks to its custom-made carbon seat and manoeuvrable frame, it is suited to both indoor and outdoor environments.

- **3-wheel design guaranteeing easy handling**
- **Adjustable suspension for optimum comfort**
- **Quick and easy installation of the shell**

TraceK	
Type	3-wheel wheelchair with 0° to 13° reclining seat angle
Composition of the chair	Trace frame, carbon shell or moulded seat, quick assembly kit, pushing handle, rear anti-tip wheel, shock absorber and pneumatic wheels (rear: 24 or 25" / front: 5, 6 or 7")
Frame colours	
Sizes	From sizes 32 to 42
Weight	5.6 kg to 7 kg (according to the size of the chair)
Patient data	Weight limit: 90 kg

*As a guide

Trace Kids Ortho

Designed and manufactured by C-Fab Janton, the TraceK Ortho version is a device equipped with a custom-made pediatric moulded seat.

Each device is precision-made according to the measurements supplied by the multidisciplinary team, guaranteeing optimum support whilst promoting personal autonomy.

Why?

The custom-made moulded seat provides a stable, comfortable seated posture following the curve and complex positioning of the user. Thanks to its enclosing seat and backrest, it promotes good autonomy. It can be completed with a footrest and headrest.

Benefits of the moulded seat:

- **Maintaining a stable, comfortable seated position**
- **Facilitating wheelchair movement, whilst ensuring optimum posture and good trunk stability**
- **Facilitating transport with the moulded seat quick mounting kit**

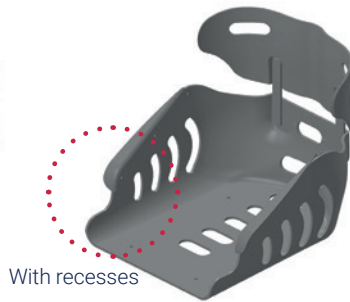


JANTON SOLUTIONS

Seated position - Wheelchairs

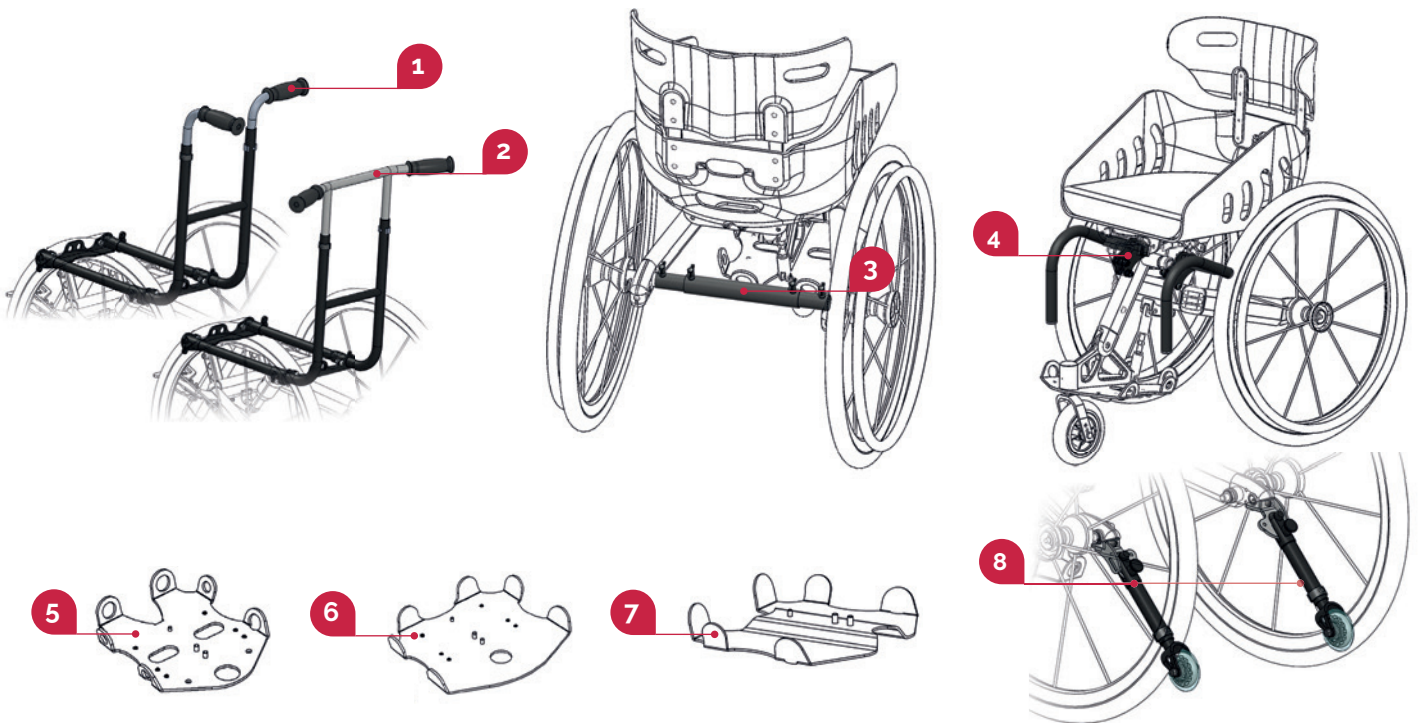


URBAIN 1 Model



With recesses

URBAIN 2 Model
Facilitates transfer



Download the order form and technical data sheet

Types	References
TraceS (frame + carbon seat shell)	TraceS
Carbon seat shells	No recess URBAIN 1
	With recesses URBAIN 2
1 Stick handlebar	U2-305
2 Trace handlebar	U2-301
3 Rear bar for electric assistance	U2-224
4 Front horns for electric assistance	U2-225
5 Standard footrest	U2-204
6 Carbon footrest	U2-204C
7 Pyramid footrest	U2-204CT
8 Right and left anti-tip wheel kit	U2-215 Available individually indicating the side by L or R e.g.: U2-215L

Find all Trace accessories in the QR Code

TraceS

The wheelchair that adapts to your everyday

Featuring a large number of adjustments, the TraceS will allow you to easily make it your own and offer you great freedom of movement. Its original design and multiple personalisation options make each TraceS wheelchair a unique proposition.

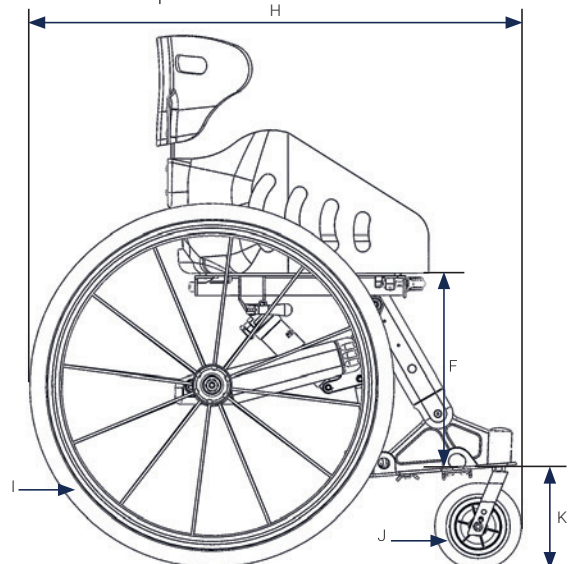
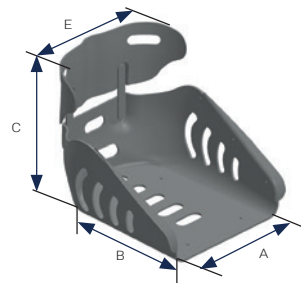
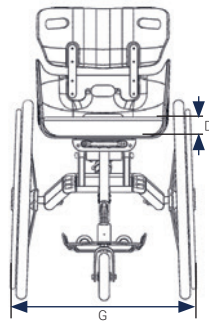
- 3-wheel design guaranteeing easy handling
- Comfort thanks to its reclining carbon seat
- Backrest settings and adjustments
- Easily removable



TraceS										
Type	3-wheel wheelchair									
Composition of the ref.	Trace frame, carbon seat shell, cushion, quick mounting kit, footrest, shock absorber and pneumatic wheels									
Frame colours	<table border="1"> <tr> <td>BK</td> <td>BJ</td> <td>BL</td> <td>GN</td> <td>PK</td> <td>PR</td> <td>R</td> <td>G</td> <td>WH</td> </tr> </table>	BK	BJ	BL	GN	PK	PR	R	G	WH
BK	BJ	BL	GN	PK	PR	R	G	WH		
Patient data	Weight limit: 90 kg / From sizes 32 to 48									

*As a guide

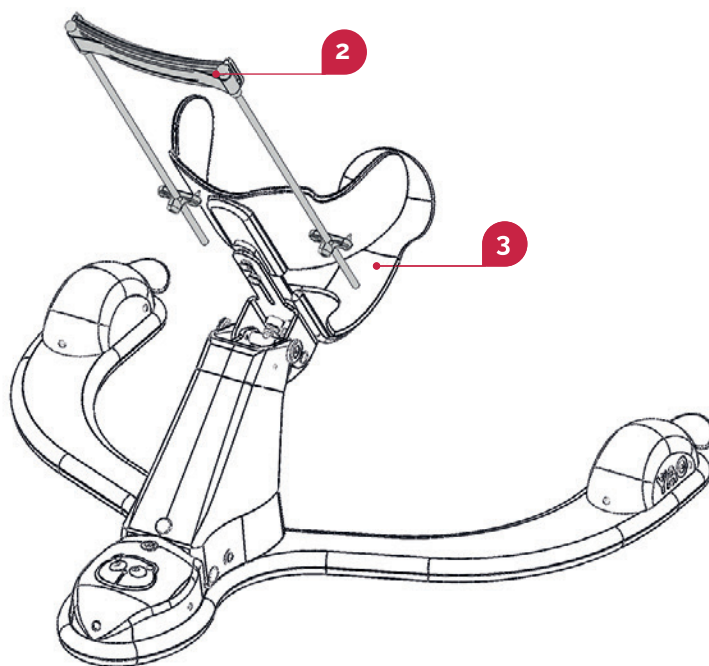
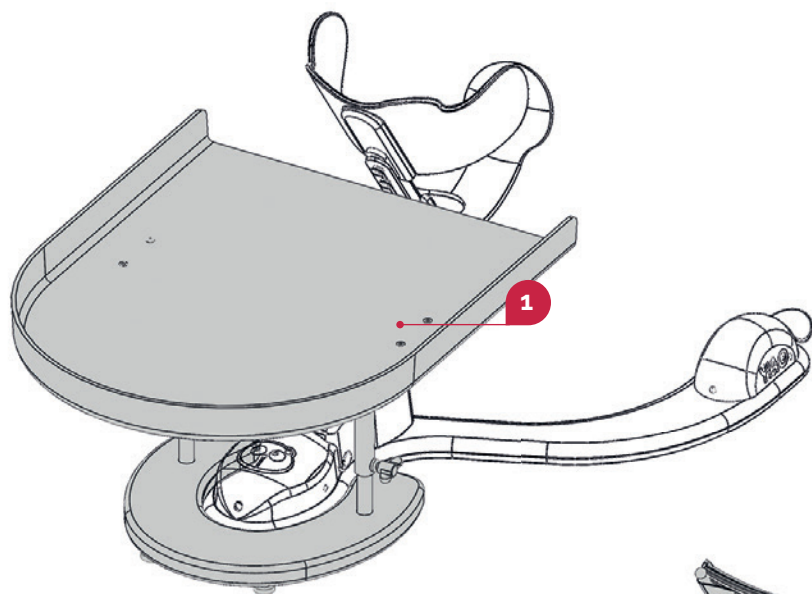
Dimensions



A - Seat width	320 to 480 mm
B - Seat depth	380 to 500 mm
C - Backrest height	250 to 500 mm
D - Cushion thickness	50 to 100 mm
E - Bust width	320 to 480 mm
F - Leg length	360 to 500 mm <i>(Up to 520 mm for the pyramid footrest)</i>
G - Chair width	Value A + 200 mm*
H - Chair length	820 to 890 mm
I - Ø Rear wheels	24 or 25"
J - Ø Front wheel	5, 6 or 7"
K - Floor/foot paddle	160 mm; 185 mm; 210 mm <i>(According to the wheel models)</i>
Sitting angle	Adjustable from 0° to 20°
Backrest angle	Variable from 0° to 13°

*As a guide

Perambulation



Download the measurements sheet

	Types	References
	YAO Frame + Saddle	STW2
1	Tray bracket with white tray	TW2-301-1
2	Headrest	TW2-202-1
3	Saddle	STW2S

YAO

The YAO has been designed to allow professionals to intervene at an early stage in the rehabilitation of children with posture and balance problems. The aims of this equipment are multiple with the possibility of rehabilitation work in a fixed or mobile position.

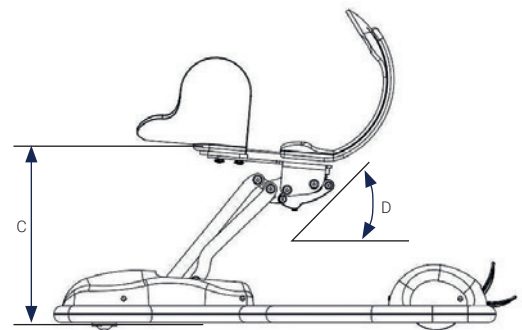
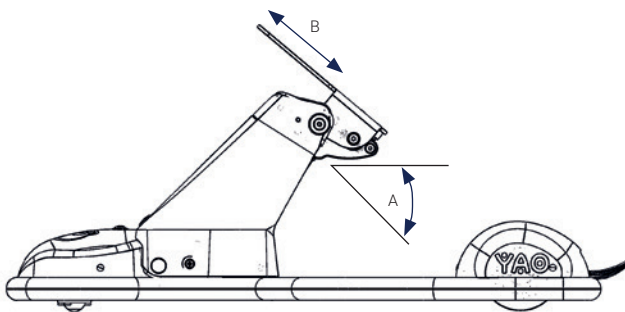
- Rehabilitation towards independent walking
- 2 positions: fixed (knees drawn up) and dynamic (on all fours)
- Dissociation of scapular and pelvic girdles by carbon strip



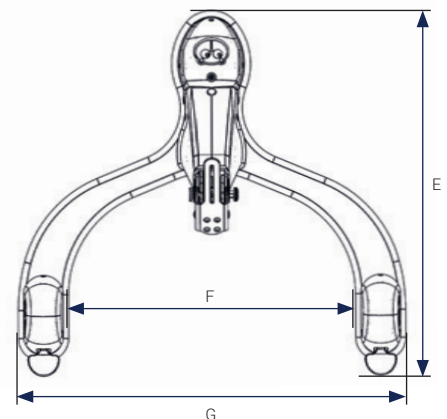
YAO	
Type	Wheeled walking frame with custom-made saddle
Saddle characteristics	Saddle with separate pelvic and front thoracic supports promotes dissociation of the girdles by carbon strip
Composition of the ref.	YAO frame and custom-made saddle
Frame colour	Light wood
Adjustments	Height, angle (5 to 30°) and position of the centre of gravity
Patient data	Weight limit: 15 kg / Size limit: 0.80 m / Age limit: 3 years old*

*As a guide

Dimensions



A - Dynamic reclining angle	5° to 30°
B - Course	50 mm
C - Floor/saddle height	100 to 230 mm
D - Total reclining angle	5° to 65°
E - Length	559 mm
F - Internal width	460 mm
G - Width	620 mm



One frame: two solutions

The saddles have different reclining angle settings to allow the child's to straighten up gradually during their motor development. **Discover the two Motilo solutions, by Janton!**

Original

Specific features of the shell

The Motilo Original shell is custom-made with a two-part thermoforming system to provide increased strength.

The back part is hinged to allow it to be opened for simplified installation from the top. Possibility of having the hinge at the lowest level (level 0) to fully open the back part.

Finishes

The saddle is finished with interior Lycra fixed between the two thermoforming shells.



Style

Specific features of the shell

The Motilo Style saddle is custom-made with a two-part thermoforming system to provide increased strength.

The shell is thermoformed as a single block and flat at crotch level for easy installation owing to a removable backrest. This backrest can be removed to facilitate the installation of patients in the saddle. The depth of the back part can be adjusted to adapt to the development of the patient's morphology.

Finishes

The removable inner cover is made of machine-washable cotton flex.





MOTILO

MOTILO is a walking device designed for children with multiple disabilities, offering the possibility of walking upright thanks to a custom-made corset-saddle. It allows the child to explore their environment with complete autonomy.

- Adjustment of the height and angle of the handlebar and saddle knob
- Adjustment of the frame length
- Available in 4 sizes

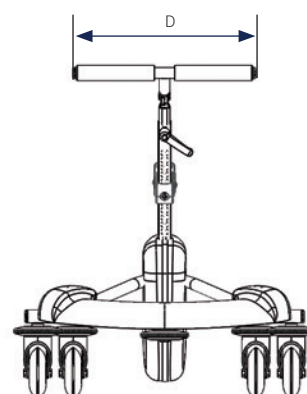
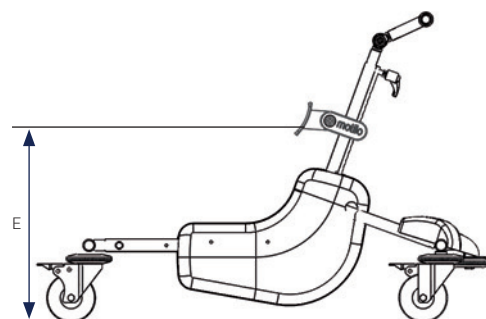
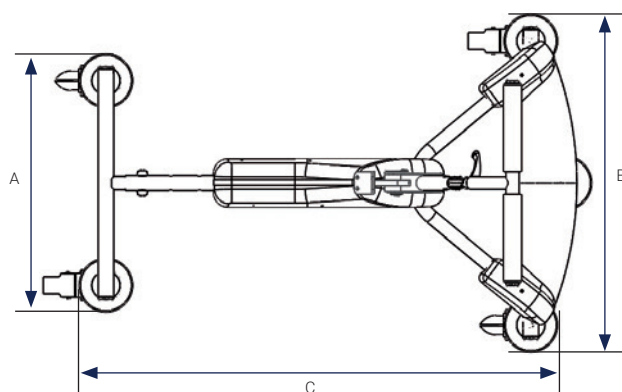


Download the measurement sheets

Motilo							
Type	Walking device				CE		
Frame colours	BK	BJ	BL	GN	PK	PR	R
Casing colours	Black, white, yellow and red						
Sizes	Size 0: T00K	Size 1: T10K	Size 2: T20K	Size 3: T30K			
Dimensions	480 x 750 mm	600 x 950 mm	700 x 1120 mm	800 x 1350 mm			
Patient data	Weight limit: 15 kg Size limit: 1.00 m Age limit: 3/5 years old*	Weight limit: 20 kg Size limit: 1.20 m Age limit: 4/8 years old*	Weight limit: 35 kg Size limit: 1.40 m Age limit: 7/12 years old*	Weight limit: 50 kg Size limit: 1.60 m Age limit: young adult*			

*As a guide

Frame dimensions



	Size 0	Size 1	Size 2	Size 3
A - Rear wheelbase	370 mm	460 mm	530 mm	600 mm
B - Front wheelbase	480 mm	600 mm	700 mm	800 mm
C - Length	650/700/750 mm	850/900/950 mm	1020/1070/1120 mm	1200/1250/1350 mm
D - Handlebar width	270 mm	350 mm	450 mm	450 mm
E - Floor/Crotch	215 to 380 mm	380 to 510 mm	500 to 650 mm	550 to 800 mm



Custom-made saddle

Triskelo is a device comprising three balance bike wheels and one custom-made posture saddle adapted for active walking.

Who for?

The Triskelo is for children looking for a dynamic, adapted solution to move around autonomously in their daily environment, both at home and at school.

Why?

The aim of the Triskelo is to promote independence and active exploration of the environment.

Thanks to its three-wheel frame, it offers the child a playful and inclusive means of movement. The saddle is custom-made, at the rear, with an accentuation of the pelvic tilt to challenge all the trunk muscles and improve tone.



Download the measurements sheet



TRISKELO

The Triskelo is a walking tricycle, designed for children; it allows them to explore their environment autonomously. It provides optimum stability and safety thanks to its custom-made saddle, promoting the dissociation of the scapular and pelvic girdles.

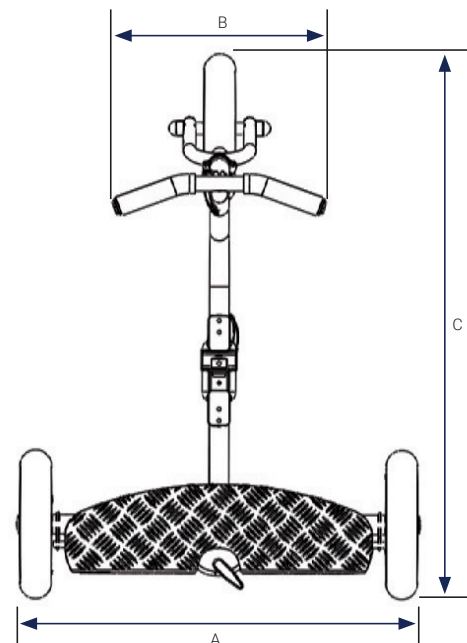
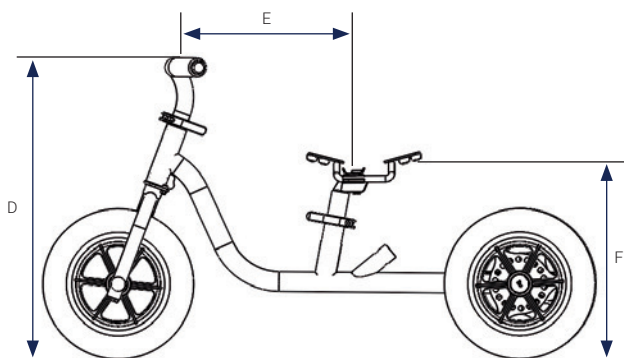
- **Foot-propelled tricycle with a custom-made corset-saddle**
- **Height and reclining angle of the seat are adjustable**
- **The turning radius can be easily altered: +/-30° or +/- 75°**



ST67K			
Composition of the ref.	Frame with custom-made corset-saddle		
Frame colour	BK BJ BL GN PK PR R		
Adjustments	Height adjustment of the handlebar, height and reclining angle adjustments of the saddle, adjustment of the turning radius		
Patient data	<table border="0" style="width: 100%;"> <tr> <td style="width: 50%;">Weight limit: 20 kg / Size limit: 1 m Age limit: 2 to 5 years old*</td> <td style="width: 50%;">Weight limit: 30 kg / Size limit: 1.2 m Age limit: 4 to 8 years old*</td> </tr> </table>	Weight limit: 20 kg / Size limit: 1 m Age limit: 2 to 5 years old*	Weight limit: 30 kg / Size limit: 1.2 m Age limit: 4 to 8 years old*
Weight limit: 20 kg / Size limit: 1 m Age limit: 2 to 5 years old*	Weight limit: 30 kg / Size limit: 1.2 m Age limit: 4 to 8 years old*		

*As a guide

Frame dimensions



	Size 1	Size 2
A - Rear wheelbase	650 mm	
B - Handlebar width	350 mm	
C - Length	900 mm	1075 mm
D - Handlebar height	470 to 590 mm	560 to 680 mm
E - Trunk/handlebar distance	250 to 320 mm	310 to 380 mm
F - Seat height	290 to 500 mm	390 to 600 mm





CONTENTS

Frames

Seated position

Palermo.....	p. 28
Hisséo.....	p. 30
TAO.....	p. 32
Echo.....	p. 34
MEO.....	p. 36
Elix.....	p. 38
Plimo ²	p. 40
Brio Eco.....	p. 42
Brio ²	p. 44
Educo ²	p. 46
Matéo.....	p. 48

Standing device

Echo.....	p. 50
Plimo ²	p. 52
Little.....	p. 54
Piggy.....	p. 56
Upsilo.....	p. 58
Jumbo Cadet.....	p. 60
Jumbo Junior.....	p. 62
Jumbo Senior.....	p. 64
Bery.....	p. 66
Vertilo.....	p. 68
Capucin.....	p. 70

Segmented standing device

Upsilo.....	p. 72
Jumbo.....	p. 74
Astro IV.....	p. 76

Perambulation

Motilo.....	p. 78
Triskelo.....	p. 80

FRAME SEATED POSITION

Add-ons



	Types	References
	PALERMO frame	T69-C100N
1	Pair of footrests	T90133-1
2	Bracket assembly with white tray	T90-C119-0
3	Tray bracket	T90134-1
4	Canopy	T6960-1
5	Basket	T6970-1



Palermo Pushchair

Good positioning and lightweight too!

Aluminium and steel pushchair with inclusive design, equipped with a frame optimised for indoor and outdoor use. It provides good positioning for the very youngest whilst offering parents a more gentle solution in view of their child's disability.

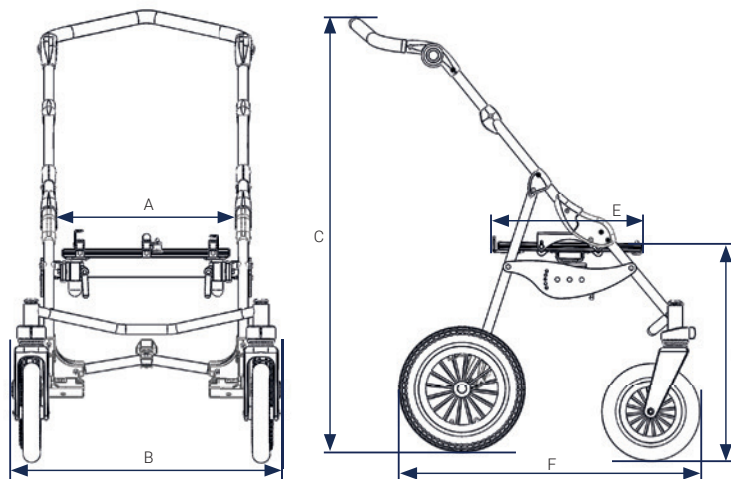
- Flexible and lightweight (10.5 kg)
- The position of the centre of gravity can be adjusted
- The width, height and angle of the seat can be adjusted



Reference	T69-C100N
Type	Pushchair
Colour	BK
Adjustments	Height, reclining angle, width and position of the centre of gravity
Patient data	Weight limit: 20 kg / Size limit: 1 m / Age limit: 5 years old*

*As a guide

Frame dimensions

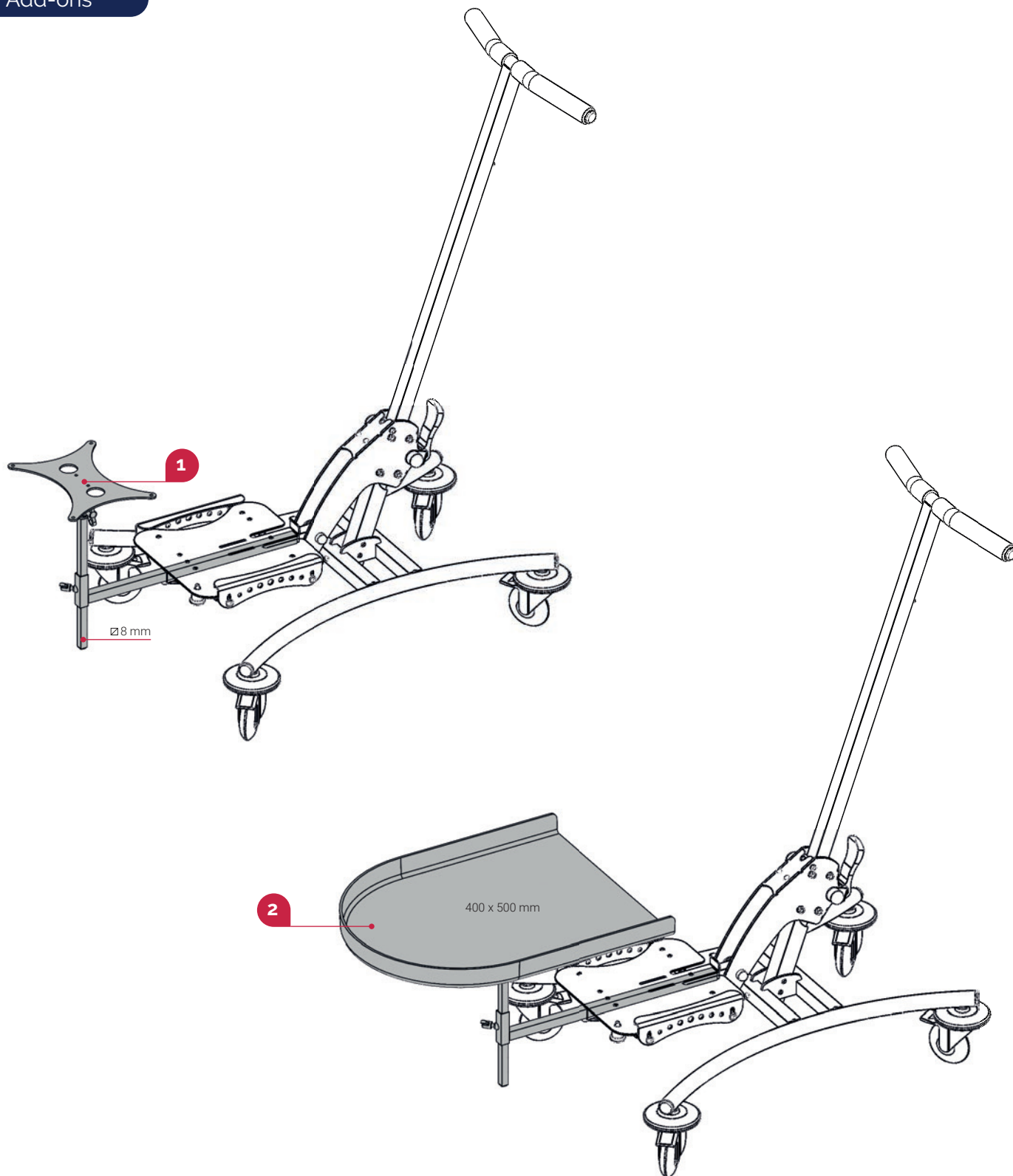


A - Seat width	Max.: 400 mm
B - Wheelbase	640 mm
C - Height	975 mm
D - Floor/seat height	Min.: 530 mm - Max.: 555 mm
E - Seat length	Max.: 400 mm
F - Length	740 mm



FRAME SEATED POSITION

Add-ons



	Types	References
	HISSÉO frame	T66-C100
1	Tray bracket	T90-C101XS
2	Tray bracket with white tray	T90-C101XSBC0

Hisséo

Hisséo

Indoor wheel base with open design. Its adjustable height makes it a perfect frame at school and in centres.

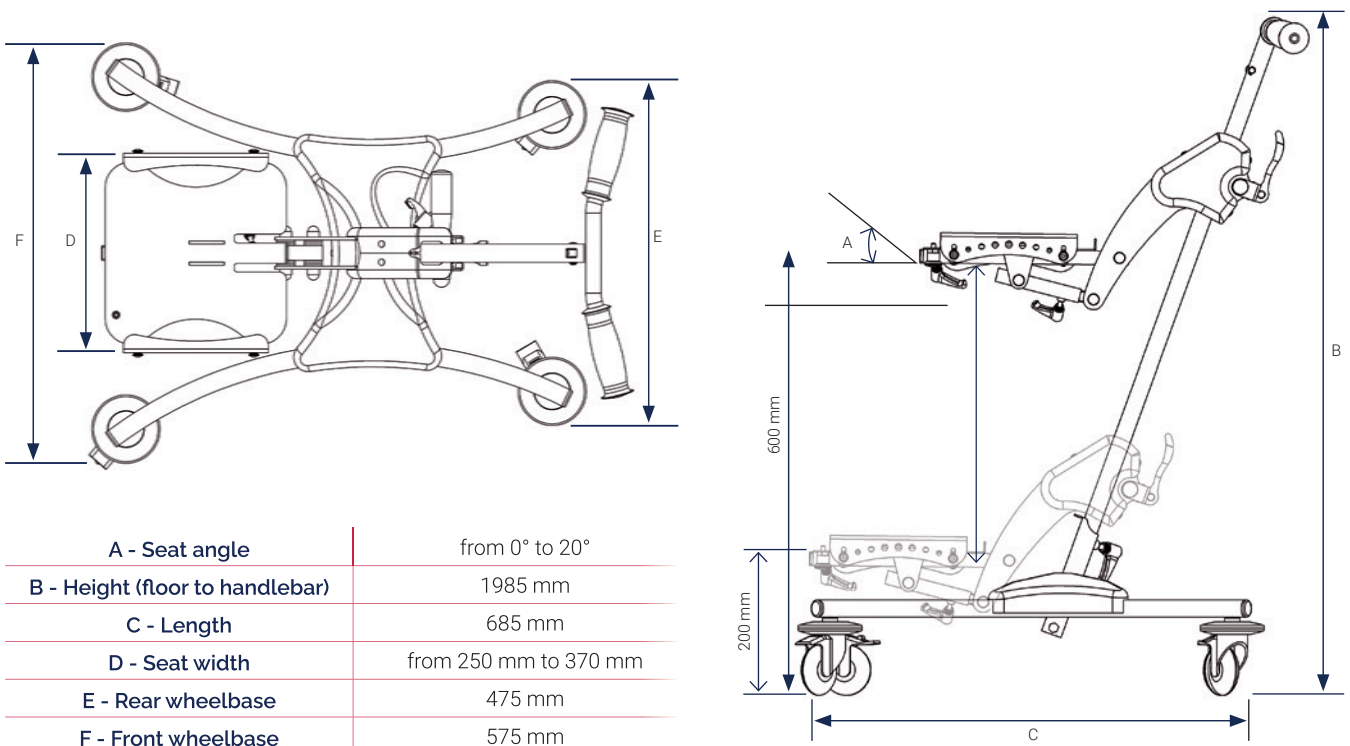
- Seat height can be adjusted from 200 to 600 mm
- Ribbed seat reclining from 0° to 20°
- Quick assembly and disassembly



Reference	T66-C100							
Type	Wheeled frame for moulded seat							
Frame colour	<table border="1"> <tr> <td>BK</td> <td>BJ</td> <td>BL</td> <td>GN</td> <td>PK</td> <td>PR</td> <td>R</td> </tr> </table>	BK	BJ	BL	GN	PK	PR	R
BK	BJ	BL	GN	PK	PR	R		
Casing colour	Black, yellow, red							
Adjustments	Height, reclining angle (max 20°), seat width							
Patient data	Weight limit: 15 kg / Size limit: 1.00 m / Age limit: 5 years old*							

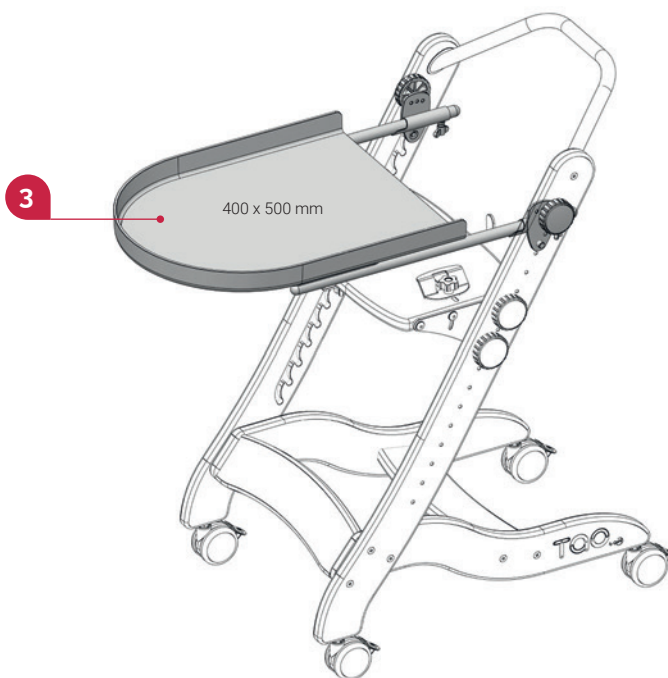
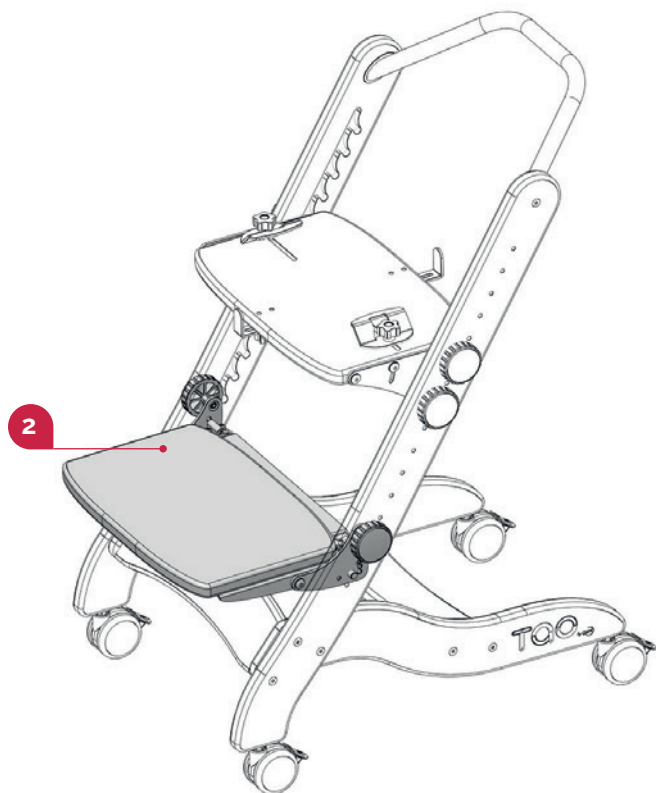
*As a guide

Frame dimensions

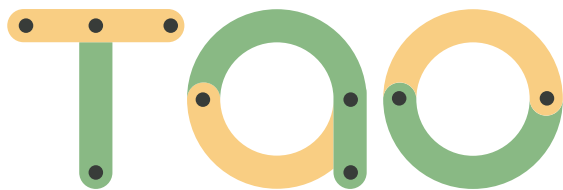


FRAME SEATED POSITION

Add-ons



Types		References	References
	TAO frame	<i>With footrest</i> TW1-300-1	<i>Without footrest</i> TW1-300-2
1	Tray bracket	TW1-203-1	
2	Footrest	<i>Included</i>	TW1-202-1
3	Tray bracket with white tray	TW1-301	



TAO

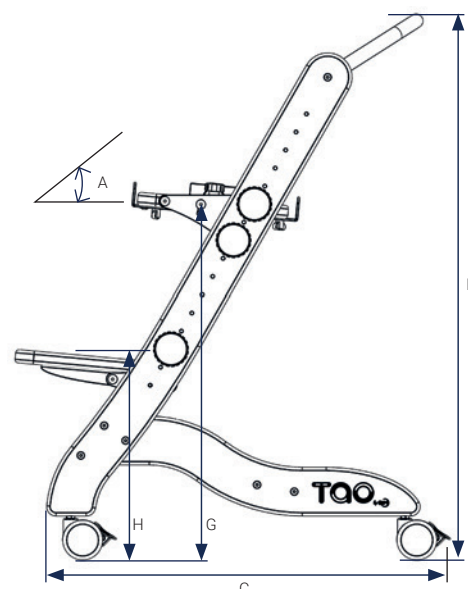
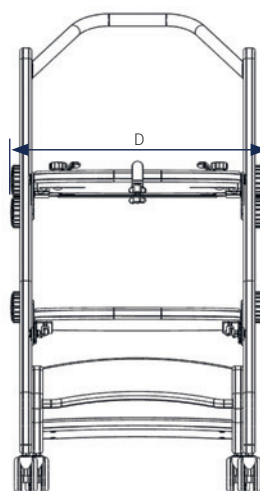
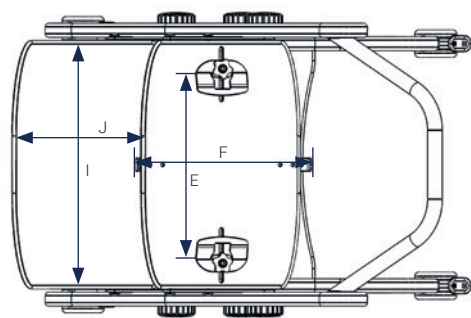
Indoor wooden wheel base for seat corset. TAO has been designed to provide better integration in the home whilst reducing its ecological impact.

- Seat and footrest height and angle can be adjusted
- Adjustment and setting without tools
- Inclusive, wooden design

References	TW/1-300-1	TW/1-300-2
Type	Wheeled frame for moulded seat	
Frame colours	Wood	
Option	With footrest	Without footrest
Patient data	Weight limit: 40 kg (patient + shell) / Size limit: 1.30 m / Age limit: 10 years old*	

*AS a guide

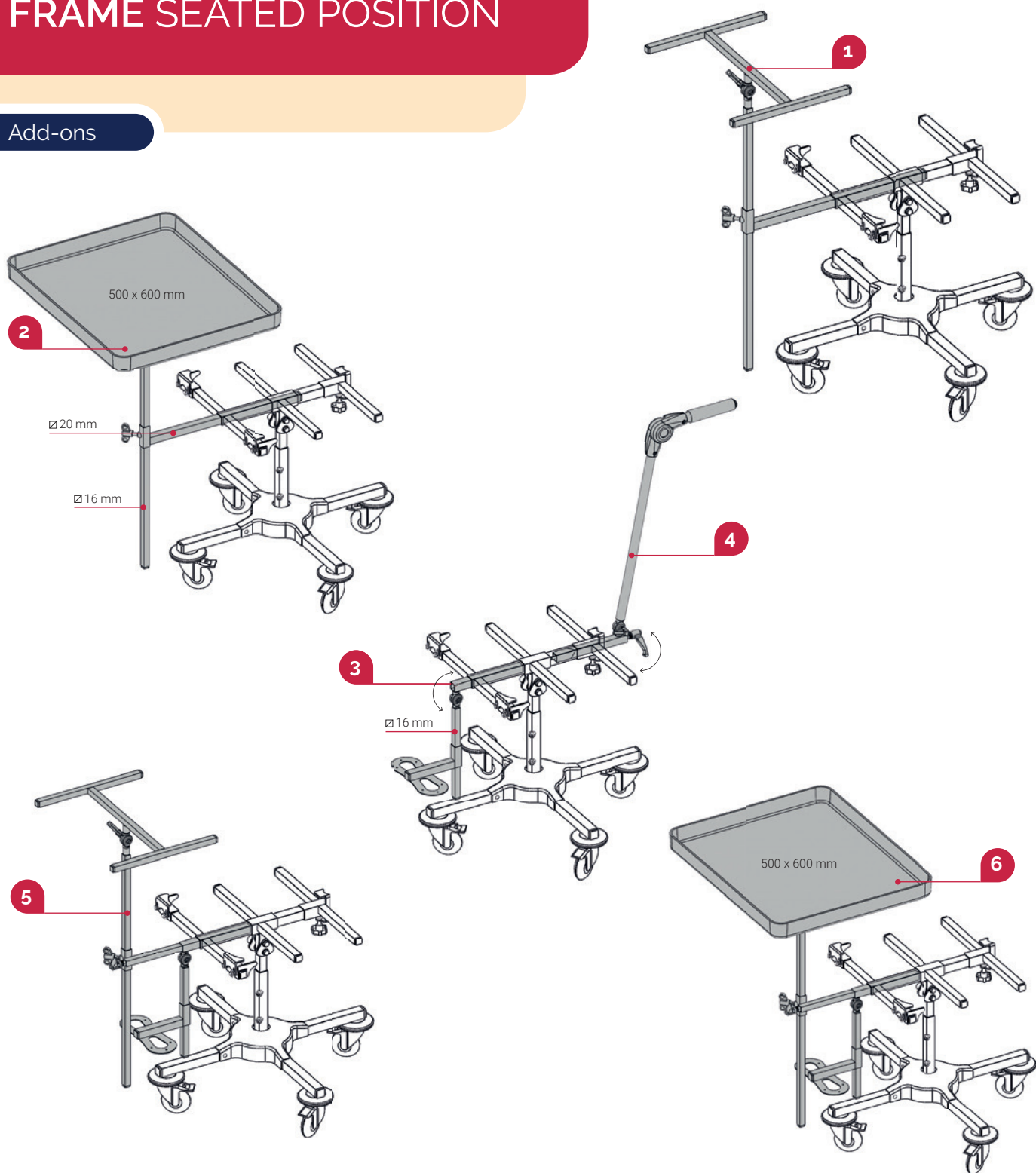
Frame dimensions



A - Seat angle	0 - 20°
B - Height	900 mm
C - Length	650 mm
D - Width	480 mm
E - Platform width	200 - 320 mm
F - Footrest depth	250 - 400 mm
G - Seat platform	330 - 720 mm
H - Footrest height	330 - 570 mm
I - Footrest width	380 mm
J - Footrest length	250 - 300 mm

FRAME SEATED POSITION

Add-ons



	Types	References
	ECHO frame	T63-C100
1	Tray bracket	T90-C101
2	Tray bracket with white tray	T90-C101BC1
	Tray bracket with transparent tray	T90-C101TRC1
3	Articulating central footrest	T90-C103
4	Hinged pushing handle	T62110
5	Tray bracket with articulating central footrest	T90-C115
	Tray bracket with white tray and articulating central footrest	T90-C115BC1
6	Tray bracket with transparent tray and articulating central footrest	T90-C115TRC1



Echo

Echo is a wheeled frame for a seat corset, offering great stability thanks to the adjustable centre of gravity, guaranteeing optimum safety. Positioning and adaptability are facilitated by a three-point mounting system.

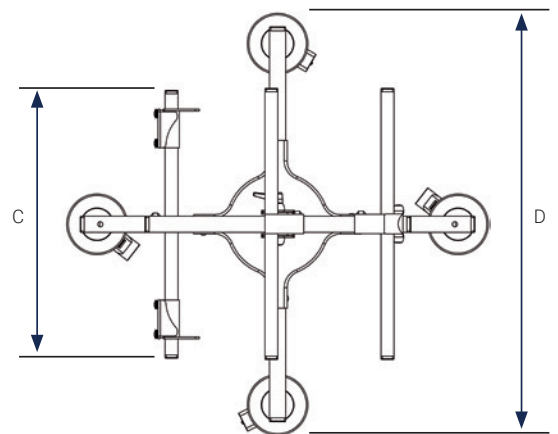
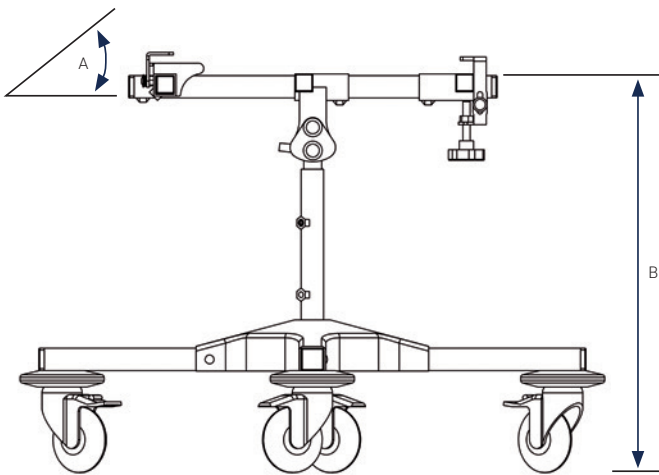
- Mounting of the seat corset base at three points
- Adjustable height and reclining angle
- A range of functional accessories to fit armrests, tray and footrests



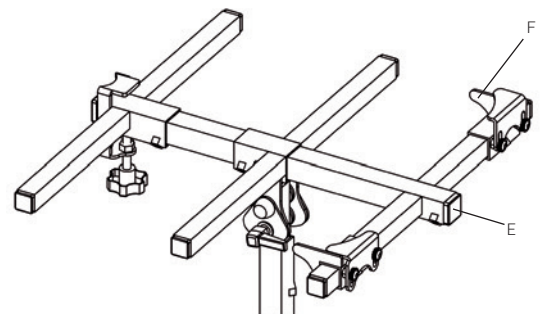
Reference	T63-C100							
Type	Wheeled frame for moulded seat							
Frame colour	<table border="1"> <tr> <td>BK</td> <td>BJ</td> <td>BL</td> <td>GN</td> <td>PK</td> <td>PR</td> <td>R</td> </tr> </table>	BK	BJ	BL	GN	PK	PR	R
BK	BJ	BL	GN	PK	PR	R		
Casing colour	Black, yellow, red							
Adjustments	Height, reclining angle (max 30°), seat width and depth, centre of gravity							
Patient data	Weight limit: 20 kg / Size limit: 1.20 m / Age limit: 8 years old*							

*As a guide

Frame dimensions

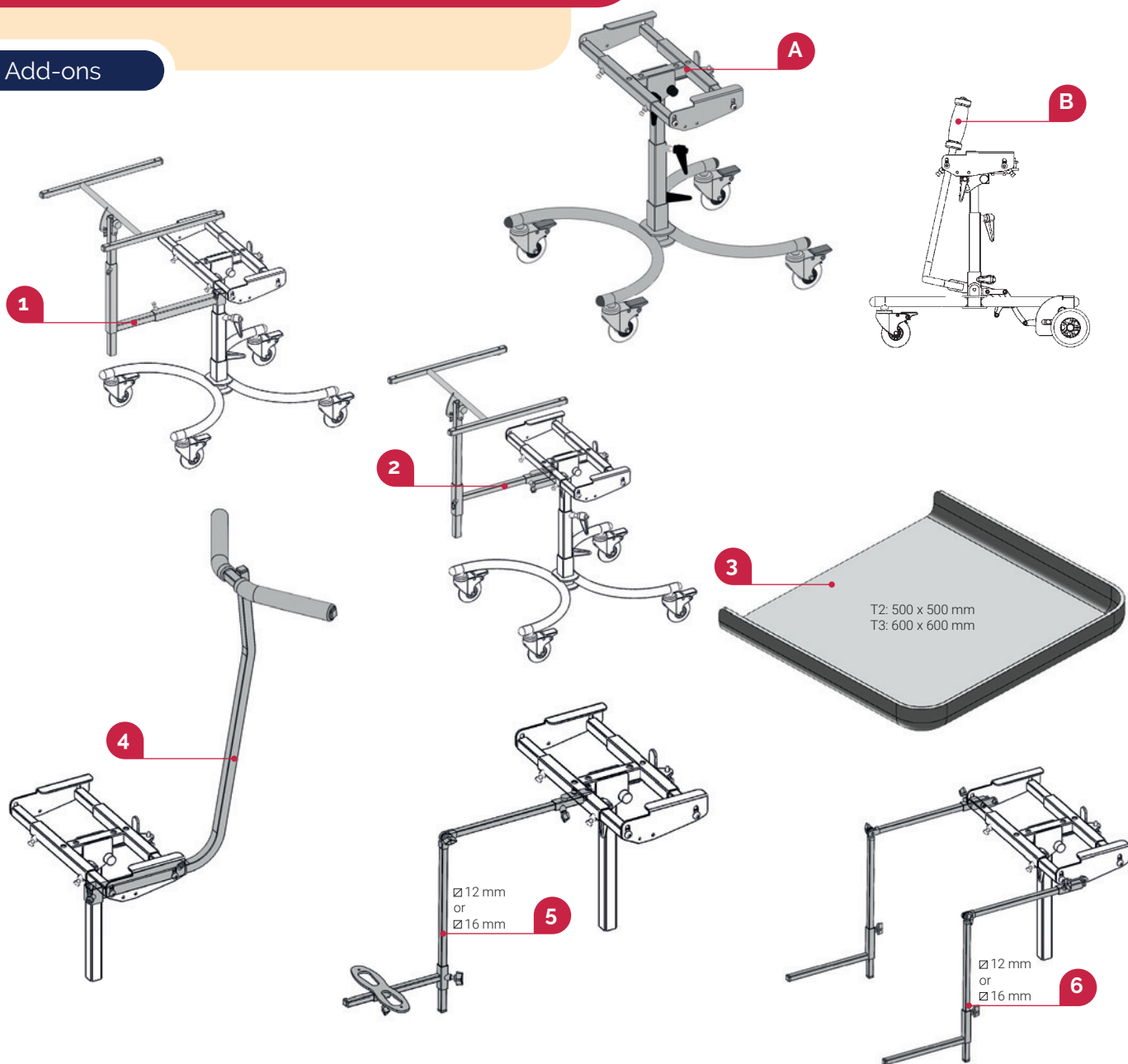


A - Seat angle	from 0° to 30°
B - Height	from 440 mm to 540 mm
C - Seat width	from 150 mm to 400 mm
D - Length	660 mm
E - Tray inlet, footrest	∅ 25 mm - Thickness 2 mm
F - Platform thickness	from 10 mm to 20 mm



FRAME SEATED POSITION

Add-ons



	Types	Sizes	References
A	MEO frame		RAVMEO-C100N
B	MEO frame with brake		RAVMEOF-C100N
1	Tray bracket		RAVOCS-C110
2	Tray bracket		RAVOCS-C104
3	White tray	T2	RAVOCS8-16B2
		T3	RAVOCS8-16B3
	Transparent tray	T2	RAVOCS8-16TR2
		T3	RAVOCS8-16TR3
4	Handles		RAVOCS-C109
5	Central footrest	∅ 12 mm	RAVOCS-C105
		∅ 16 mm	RAVOCS-C106
6	Footrest	∅ 12 mm	RAVOCS-C107
		∅ 16 mm	RAVOCS-C108



MEO

MEO is a mobile support for all types of custom-made moulded seats. Very easy to use, its height and angle can be adjusted manually. The considerably more efficient adaptation of the seat corset means it is even more ergonomic and aesthetically pleasing.

Brake version

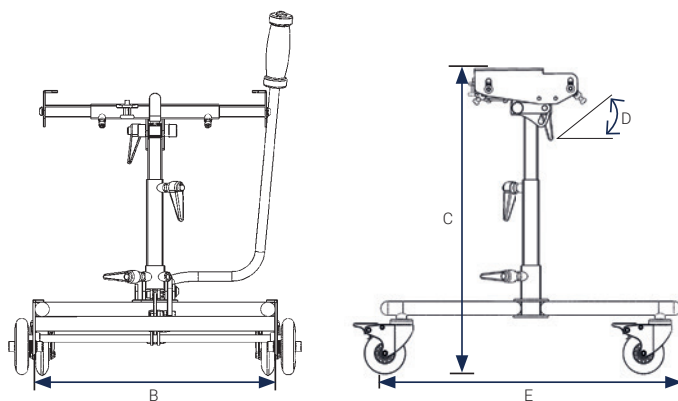
The brake version is equipped with a manual brake system that allows the rear wheels to be easily locked using a lever (brake can be on the right or left).



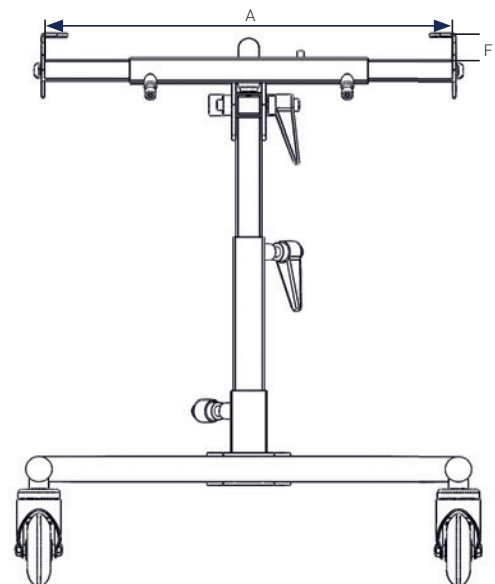
References	RAVMEO-C100N	RAVMEOF-C100N
Type	Wheeled frame for child moulded seat, indoor use	
Frame colours	BK	
Option	-	Manual brake
Weight	6.6 kg	9 kg
Patient data	Weight limit: 25 kg (patient + shell) / Size limit: 1.20 m / Age limit: 8 years old*	
To order	-	RAVMEOF-C100N: specify the brake side

*As a guide

Frame dimensions



	RAVMEO-C100N	RAVMEOF-C100N
A - Seat width	230 mm to 430 mm	
B - Wheelbase	405 mm	Front: 405 mm Rear: 475 mm
C - Height	305 mm (with intersection) to 590 mm	
D - Seat angle	0° to 20°	
E - Length	470 mm	485 mm
F - Platform thickness	7 mm to 22 mm	



FRAME SEATED POSITION

Add-ons



	Types	Sizes	References
	ELIX frame		RAVELIX-C100N RAVELIX-C200N
1	Tray bracket		RAVOCS-C110
2	Tray bracket		RAVOCS-C104
3	White tray	T2	RAVOCS8-16B2
		T3	RAVOCS8-16B3
3	Transparent tray	T2	RAVOCS8-16TR2
		T3	RAVOCS8-16TR3
4	Handles		RAVOCS-C109
5	Central footrest	∅ 12 mm	RAVOCS-C105
		∅ 16 mm	RAVOCS-C106
6	Footrest	∅ 12 mm	RAVOCS-C107
		∅ 16 mm	RAVOCS-C108



ELIX

Elix is a mobile support for all types of custom-made seat corsets. Its height and angle can be adjusted manually and it is very easy to use as it is composed of a polyamide/glass fibre, lightweight, manoeuvrable chassis beam. All the wheels are swivel wheels and fitted with brakes.

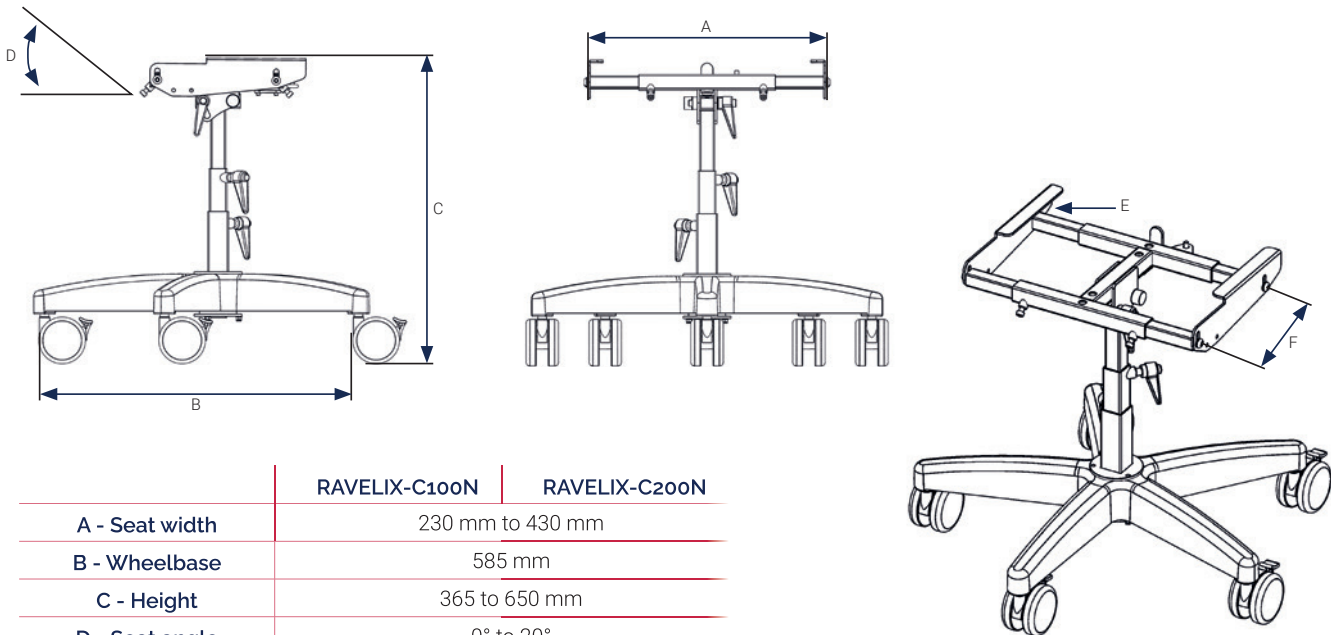
- Secure mounting
- Removable
- 2 seat depths available



References	RAVELIX-C100N	RAVELIX-C200N
Type	Wheeled frame for child moulded seat, indoor use	
Frame colours	BK	
Weight	6 kg	
Patient data	Weight limit: 50 kg (patient + shell) / Size limit: 1.20 m / Age limit: 8 years old*	

*As a guide

Frame dimensions

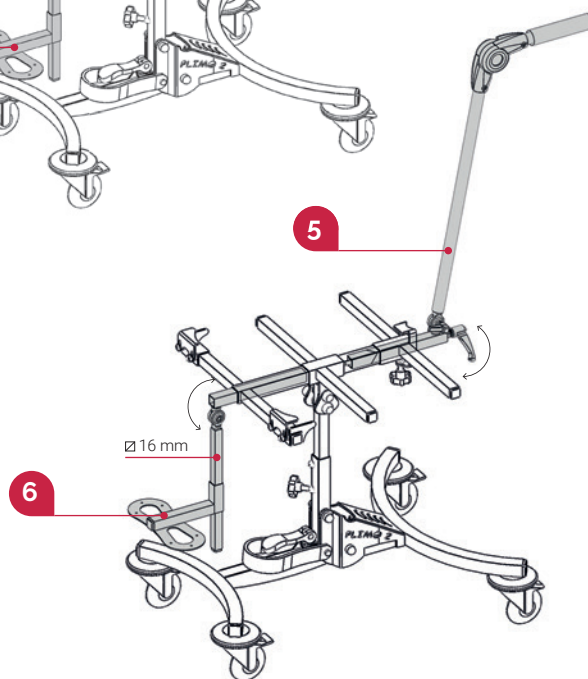
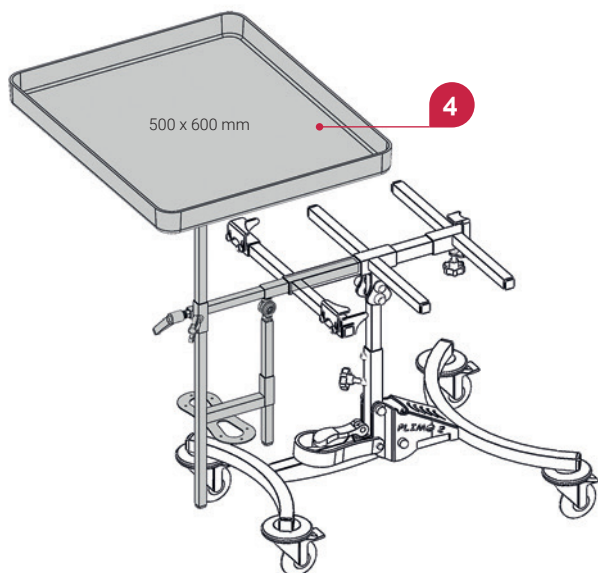
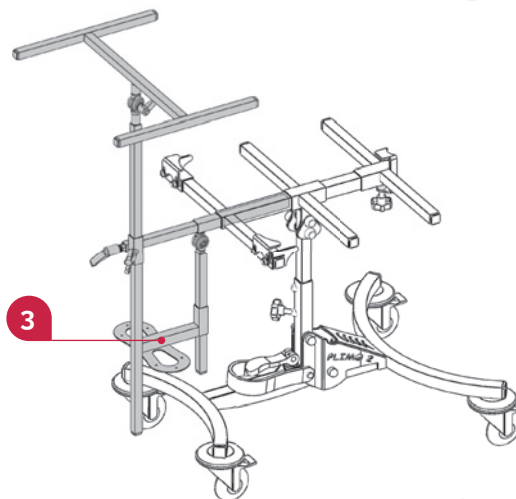
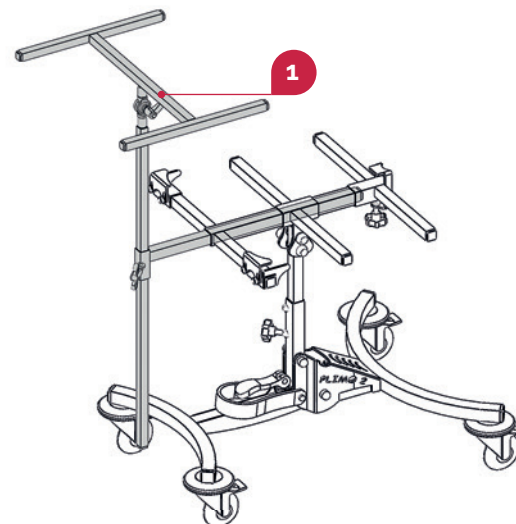
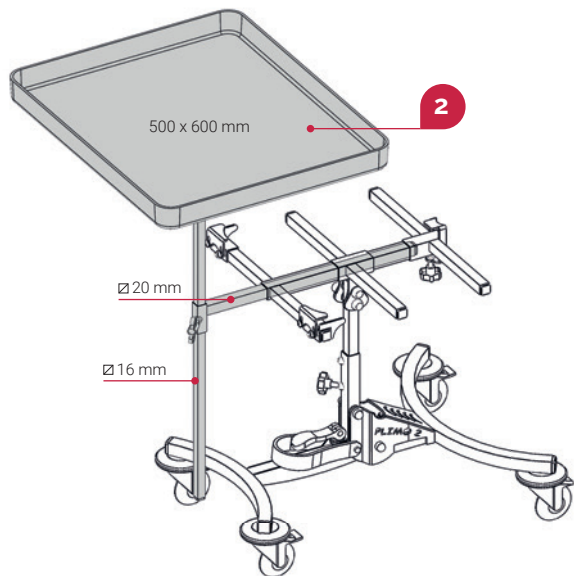


	RAVELIX-C100N	RAVELIX-C200N
A - Seat width	230 mm to 430 mm	
B - Wheelbase	585 mm	
C - Height	365 to 650 mm	
D - Seat angle	0° to 20°	
E - Platform thickness	7 mm to 22 mm	
F - Seat depth	150 mm	200 mm



FRAME SEATED POSITION

Add-ons



	Types	References
	PLIMO ² frame	T62-C100
1	Tray bracket	T90-C101
2	Tray bracket with white tray	T90-C101BC1
	Tray bracket with transparent tray	T90-C101TRC1
3	Tray bracket with articulating central footrest	T90-C115
	Tray bracket with white tray and articulating central footrest	T90-C115BC1
4	Tray bracket with transparent tray and articulating central footrest	T90-C115TRC1
5	Hinged pushing handle	T62110
6	Articulating central footrest	T90-C103

PLIMO²

PLIMO²

Extremely stable wheel base with adjustable centre of gravity, providing optimum safety.

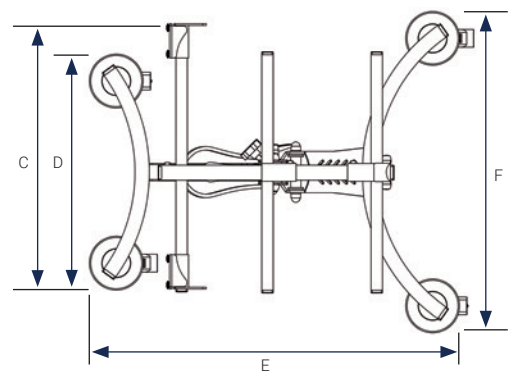
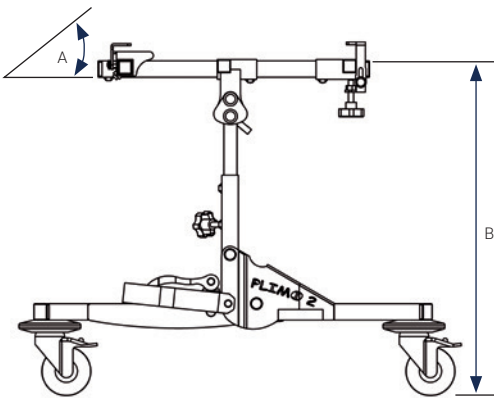
- Foldable frame
- An innovative seat in the base mounting for the seat corset, facilitating adaptability and positioning
- Adjustable height and angle



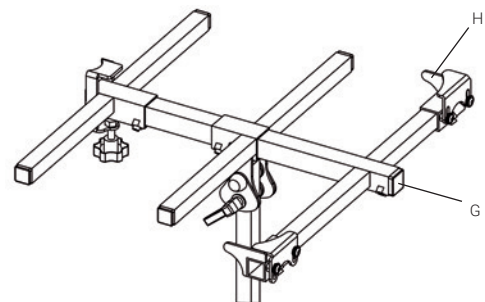
Reference	T62-C100
Type	Wheeled frame for moulded seat
Frame colours	BK BJ BL GN PK PR R
Adjustments	Height, reclining angle (max 30°), seat width and depth, centre of gravity
Patient data	Weight limit: 20 kg / Size limit: 1.20 m / Age limit: 8 years old*

*As a guide

Frame dimensions

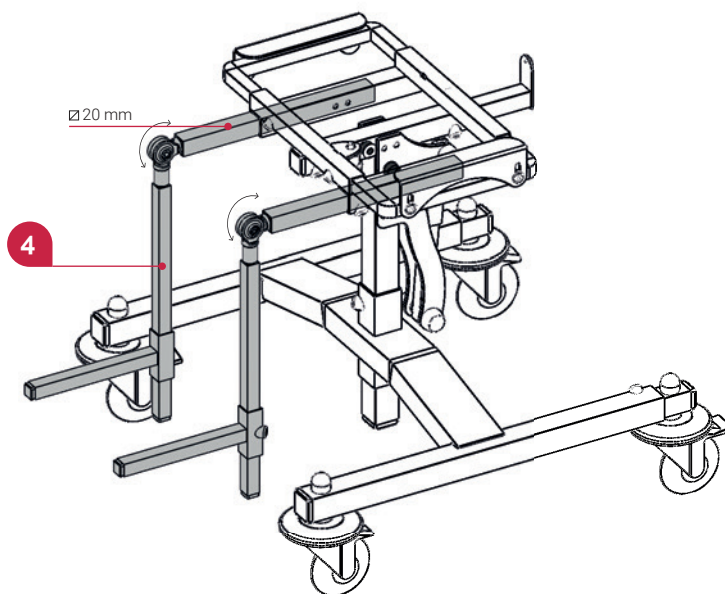
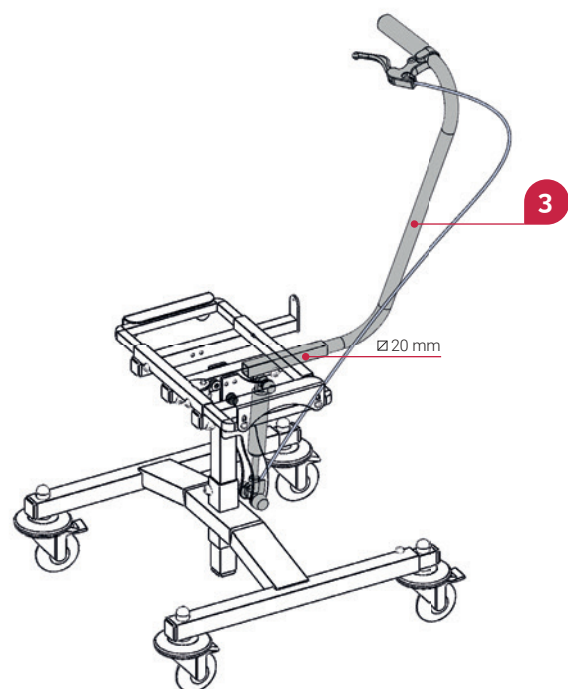
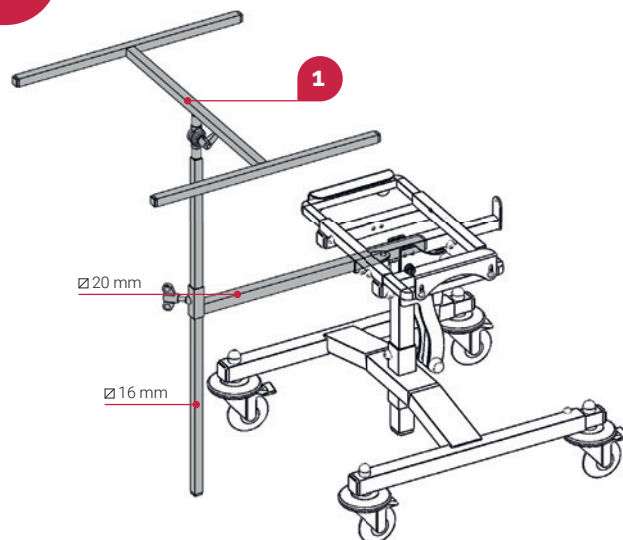
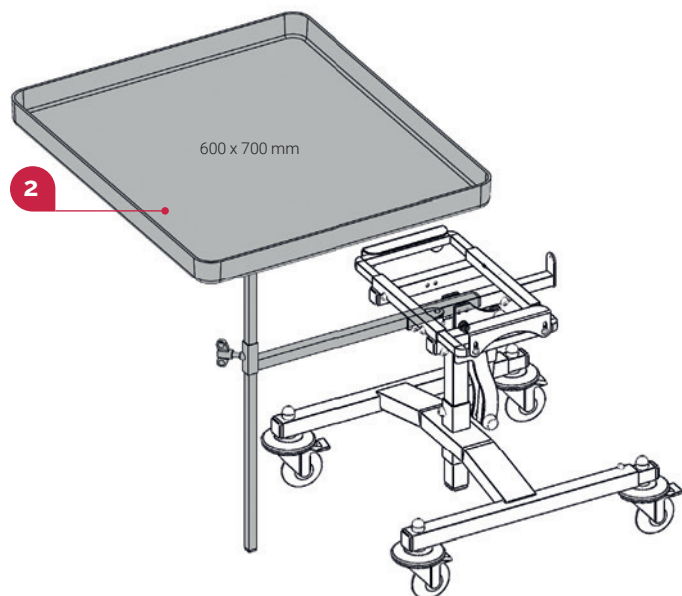


A - Seat angle	from 0° to 30°
B - Height	510 mm to 570 mm
C - Seat width	150 mm to 400 mm
D - Front wheelbase	410 mm
E - Length	650 mm
F - Rear wheelbase	560 mm
G - Tray bracket inlet	∅25 mm - Thickness 2 mm
H - Platform thickness	10 mm to 20 mm



FRAME SEATED POSITION

Add-ons



Types		References	
	BRIO ECO frame	Mechanical cylinder: T61-C100	Hydraulic cylinder: T61-C101
1	Tray bracket	T90-C101R	
2	Tray bracket with white tray	T90-C101RBC2	
	Tray bracket with transparent tray	T90-C101RTRC2	
3	Pushing handle with cylinder	T65E	Included
4	Pair of articulated footrests	T90260-1	

BRIO ECO

Indoor wheel base for moulded seat

- Integrated stabilisation extensions
- Adjustable seat width, depth and height
- Simple and precise angle adjustment, using a mechanical or hydraulic cylinder (optional)
- A range of functional accessories to fit tray, footrest and pushing handle

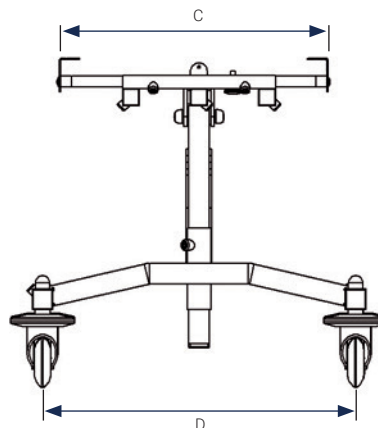
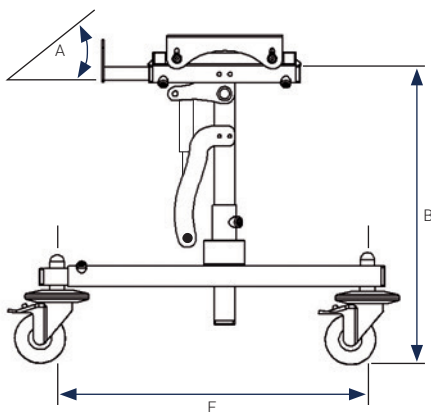


CE

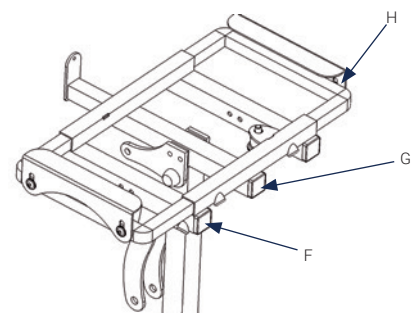
References	T61-C100	T61-C101
Type	Wheeled frame for moulded seat with mechanical cylinder	Wheeled frame for moulded seat with mounted hydraulic cylinder
	Mechanical cylinder	Mounted hydraulic cylinder
Frame colours		
Adjustments	Height, reclining angle (max 20°), seat width and position of the centre of gravity	
Patient data	Weight limit: 60 kg / Size limit: 1.60 m / Age limit: young adult*	

*As a guide

Frame dimensions

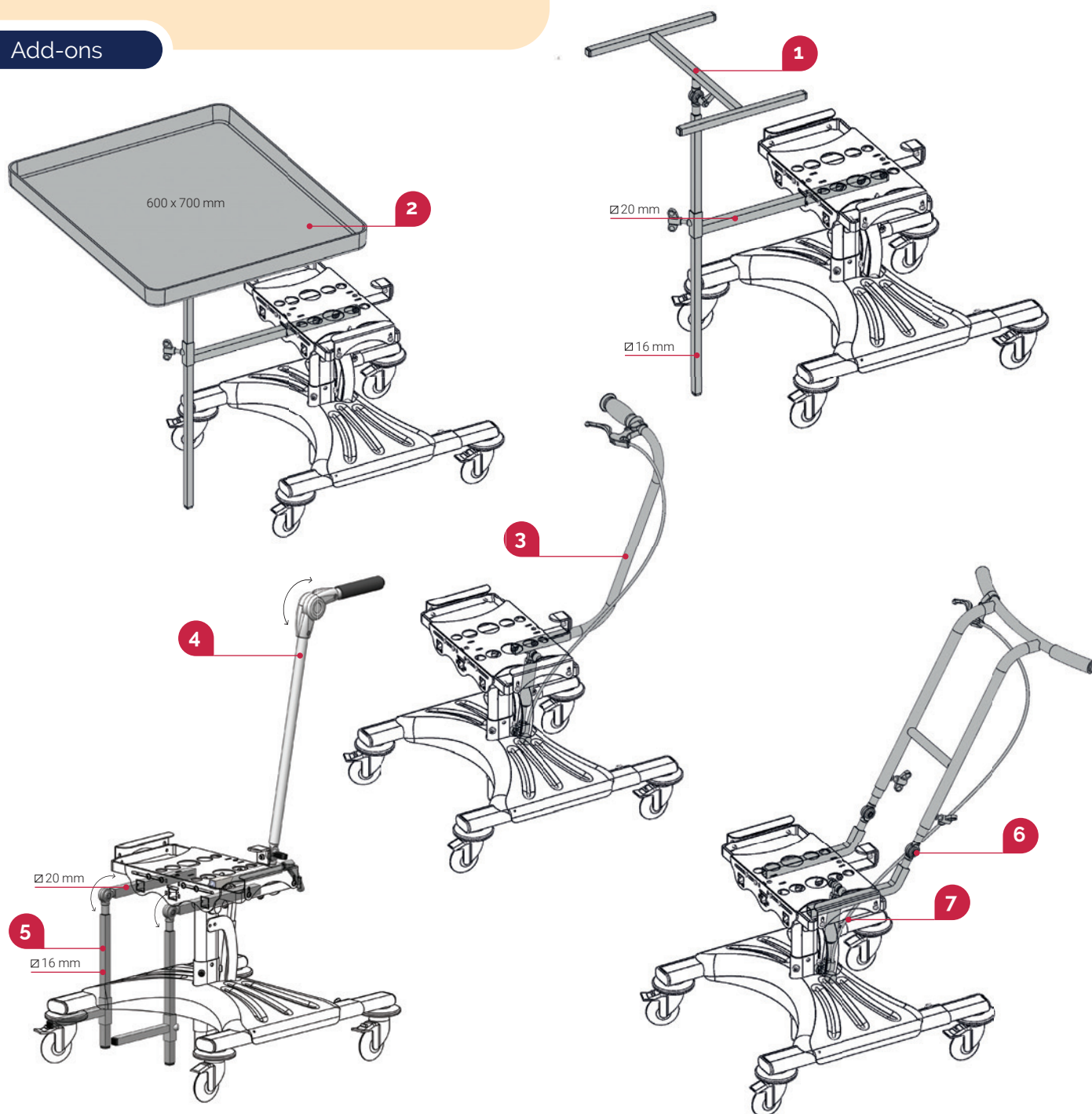


A - Seat angle	0° to 20°
B - Height	380 mm to 510 mm
C - Seat width	270 mm to 500 mm
D - Wheelbase	460 mm
E - Length	460 mm to 700 mm
F - Leg segment mounting	∅25 mm - Thickness 2 mm
G - Tray inlet: footrest	∅25 mm - Thickness 2 mm
H - Platform thickness	10 mm to 25 mm



FRAME SEATED POSITION

Add-ons



	Types	References
	BRIO ² frame	T65-C100
1	Tray bracket	T90-C101R
2	Tray bracket with white tray	T90-C101RBC2
	Tray bracket with transparent tray	T90-C101RTRC2
3	Pushing handle with cylinder	T65E
4	Hinged pushing handle	T62110
5	Pair of articulated footrests	T90260-1
6	Articulating handlebar	T13080-1
7	Hydraulic cylinder	T13090-1

BRIO²

BRIO²

Indoor wheeled frame, with modern design, for adult patients up to 80 kg. This frame is compatible with a wide range of accessories and is adaptable to specific patient needs.

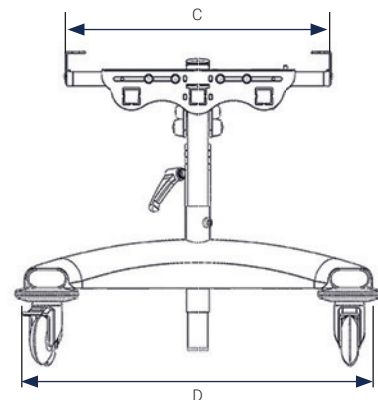
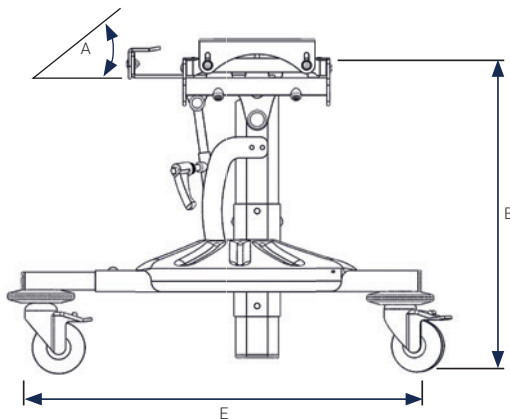
- **Integrated stabilisation extensions**
- **Handlebar that can be adjusted to any position**
- **Simple and precise angle adjustment, using a mechanical or hydraulic cylinder (optional)**



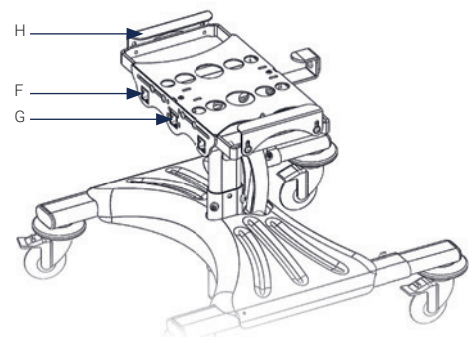
Reference	T65-C100
Type	Wheeled frame for moulded seat
Frame colours	
Casing colour	Black, red, yellow
Adjustments	Height, reclining angle (max 20°), seat width/depth, height, centre of gravity
Patient data	Weight limit: 80 kg / Size limit: 1.60 m / Age limit: young adult*

*As a guide

Frame dimensions



A - Seat angle	0° to 20°
B - Height	390 mm to 500 mm
C - Seat width	320 mm to 500 mm
D - Wheelbase	550 mm
E - Length	500 mm to 800 mm
F - Leg segment mounting	∅25 mm - Thickness 2 mm
G - Tray inlet: footrest	∅25 mm - Thickness 2 mm
H - Platform thickness	10 mm to 22 mm



FRAME SEATED POSITION

Add-ons



	Types	References
	EDUCO ² frame	T130C
	Tray bracket with white tray	T90-C101RBC2
1	Tray bracket with transparent tray	T90-C101RTRC2
2	Tray bracket	T90-C101R
3	Pair of articulated footrests	T90260-1

Educo²

EDUCO²

Wheel base with large pneumatic wheels in the rear for greater comfort outdoors. Extremely stable with integrated anti-tip extensions

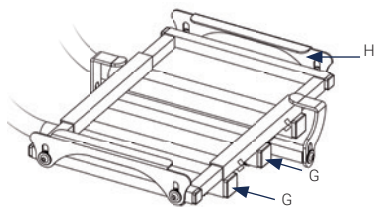
- The foot-operated parking brake ensures that the base remains perfectly immobilised when stationary
- Adjustable seat width, depth and height
- Handlebar that can be adjusted to any position
- Simple and precise angle adjustment using a hydraulic cylinder



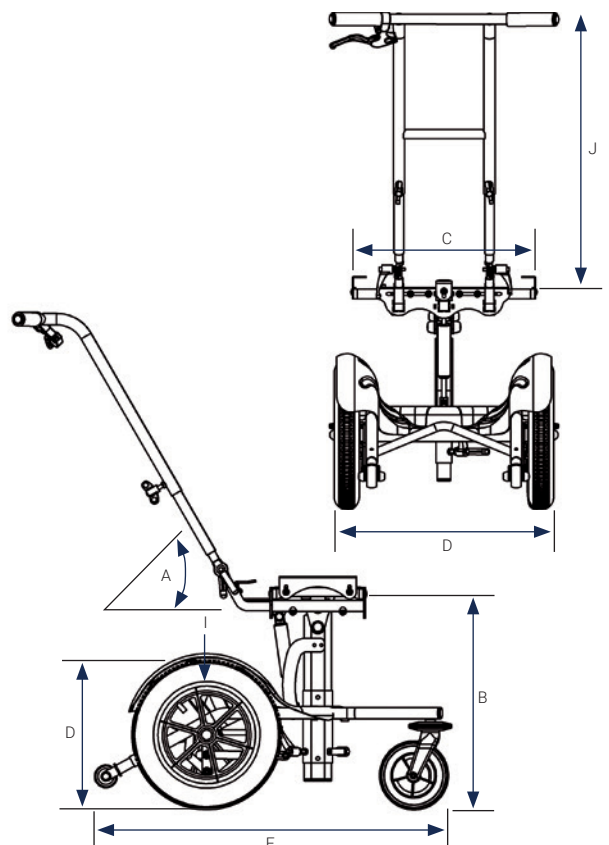
References	T130C-100	T130C-200
Type	Indoor/outdoor wheeled frame for moulded seat	
Frame colours	<div style="display: flex; justify-content: space-around; align-items: center;"> BK BJ BL GN PK PR R </div>	
Dimensions	500 x 600 x 950 mm	600 x 670 x 950 mm
Patient data	Weight limit: 60 kg / Size limit: 1.30 m / Age limit: 10 years old*	Weight limit: 80 kg / Size limit: 1.60 m / Age limit: young adult*

*As a guide

Frame dimensions



	T130C-100	T130C-200
A - Seat angle	0° to 20°	
B - Height	410 mm to 520 mm	
C - Seat width	320 mm to 500 mm	
D - Wheelbase	485 mm	600 mm
E - Length (with anti-tip)	780 mm	885 mm
F - Leg segment mounting	∅ 25 mm - Thickness 2 mm	
G - Tray inlet, footrest	∅ 25 mm - Thickness 2 mm	
H - Platform thickness	10 mm to 25 mm	
I - Wheel diameter	Front: 150 mm / Rear: 330 mm	
J - Handlebar settings	250 mm and 0° to 90° adjustable	



FRAME SEATED POSITION

Add-ons



Types		References	
	MATÉO frame	Rear wheels Ø 600 mm: T160-300-2	Rear wheels Ø 300 mm: T160-301-2
1	Tray bracket	T90-C101R	
	Tray bracket with white tray	T90-C101RBC2	
2	Tray bracket with transparent tray	T90-C101RTRC2	
3	MATÉO rail mountings	T160-203-2N	
4	Pair of articulated footrests	T90260-1	
5	Pair of armrests	T160-207-2	

MATEO

MATÉO

Configurable shell support wheeled frame enabling active or passive adult patient positioning.

Specific seat angle kinematics provides optimum stability. The pantograph makes it possible to maintain the positioning of the centre of gravity in the central axes of the frame.

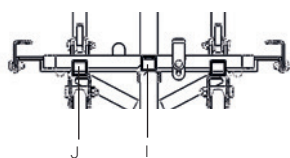
- Configurable with large or small wheels
- Multiple settings for precise adjustment to patient and care giver posture
- Equipped with retractable anti-tipper for increased stability
- Separate seat and backrest reclining angle with two locking cylinders



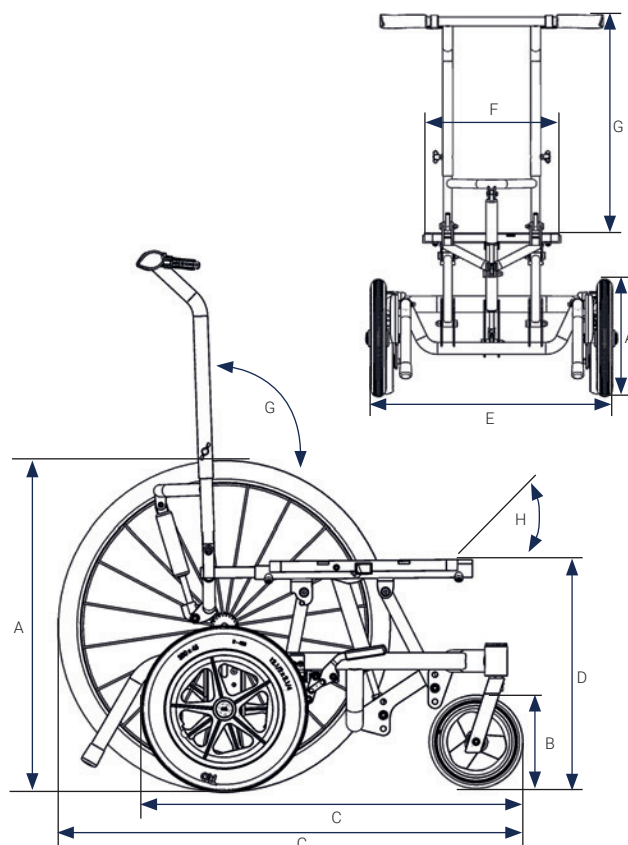
References	T160-300-2	T160-301-2
Type	Indoor/outdoor wheeled frame for seat corset	
Rear wheel diameters	Ø 600 mm	Ø 300 mm
Colour	BK	
Adjustments	Seat width, depth, height and angle (max. 30°), backrest angle (max. 125°), seat handlebar settings	
Patient data	Weight limit: 125 kg / Size limit: 1.80 m / Age limit: adult*	

*As a guide

Frame dimensions

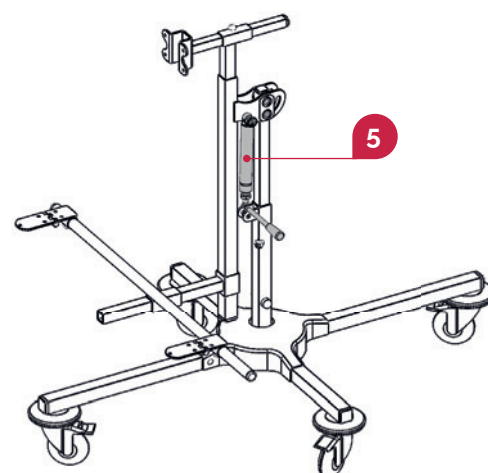
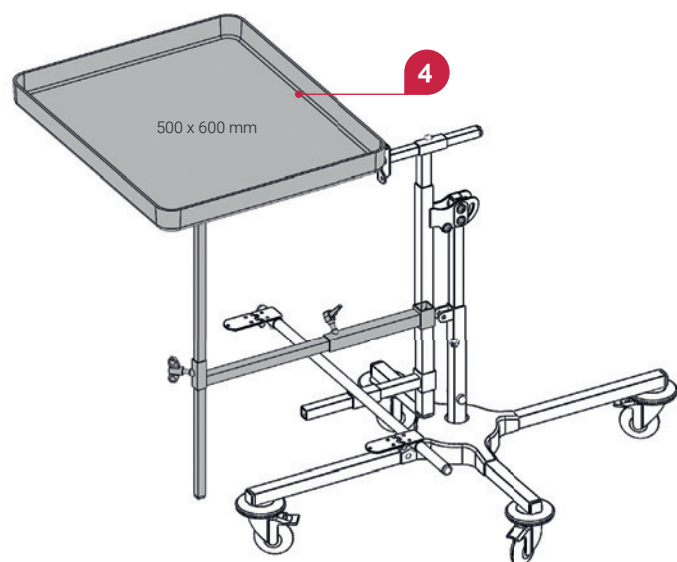
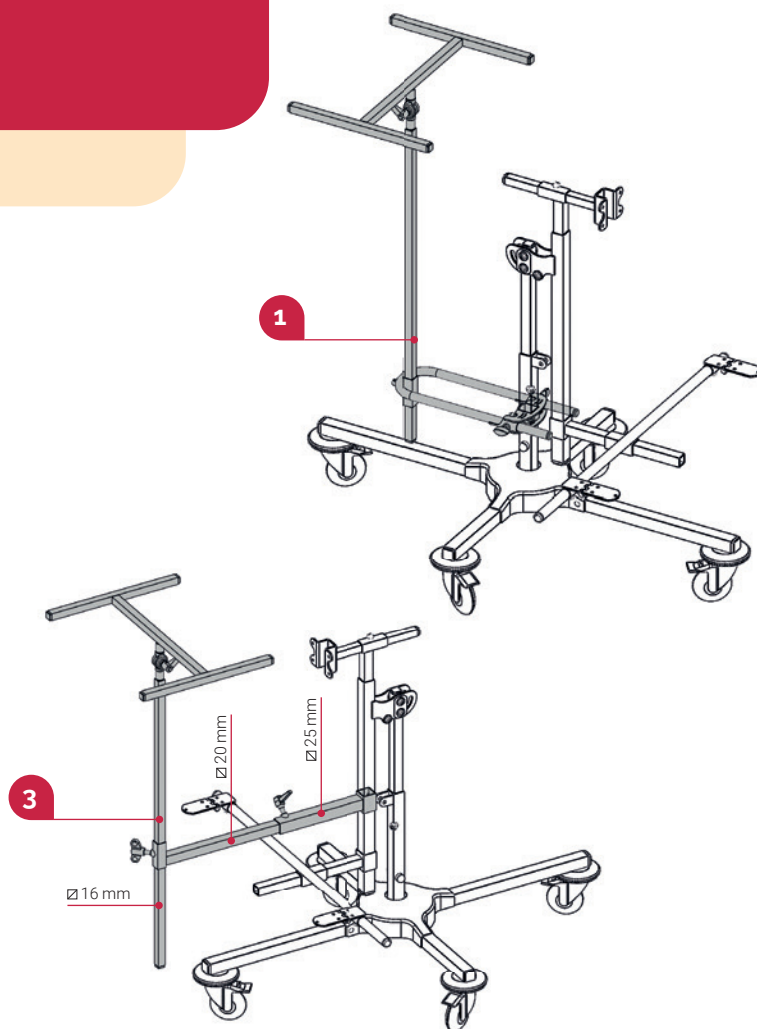
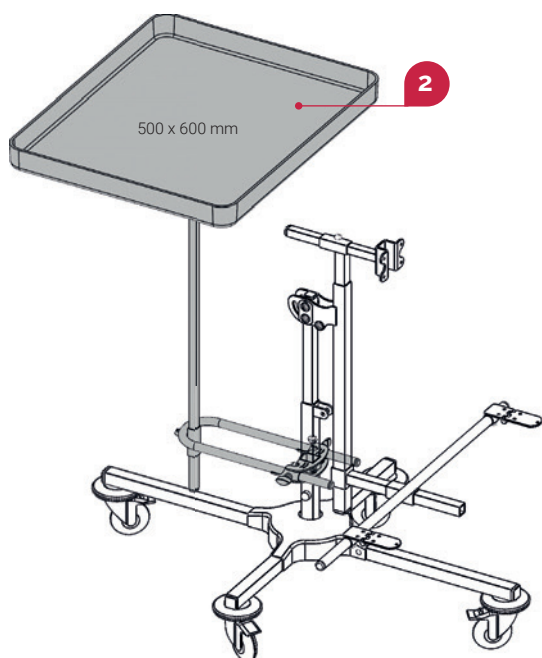


	T160-300-2	T160-301-2
A - Rear wheel diameters	Ø 600 mm (24")	Ø 300 mm (12")
B - Front wheel diameter	Ø 175 mm (7")	
C - Lengths	850 mm	700 mm
D - Heights	395 mm / 420 mm / 445 mm	
E - Widths	700 mm	650 mm
F - Seat width	350 mm (up to 550 mm with T160-203-2N)	
G - Handlebar setting	250 mm and 90° to 125° adjustable	
H - Seat angle	From 0° to 30°	
I - Tray inlet,	Ø 25 mm - Thickness 2 mm	
J - Leg segments	Ø 25 mm - Thickness 2 mm	

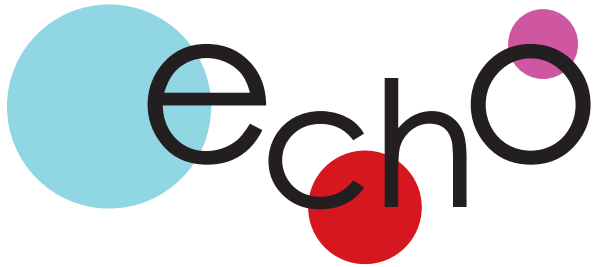


STANDING FRAMES

Add-ons



	Types	References
	ECHO frame	T63-V100
1	Ventral tray bracket	T90-V104
2	Ventral tray bracket with white tray	T90-V104BC1
	Ventral tray bracket with transparent tray	T90-V104TRC1
3	Dorsal tray bracket	T90-V100
	Dorsal tray bracket with white tray	T90-V100BC1
4	Dorsal tray bracket with transparent tray	T90-V100TRC1
	Cylinder (hoisting assistance 40 kg)	T6030-40
5	Cylinder (hoisting assistance 60 kg)	T6030-60



Echo

The Echo frame comprises a very stable wheel base. The adjustment of its cross wheelbase ensures optimum safety.

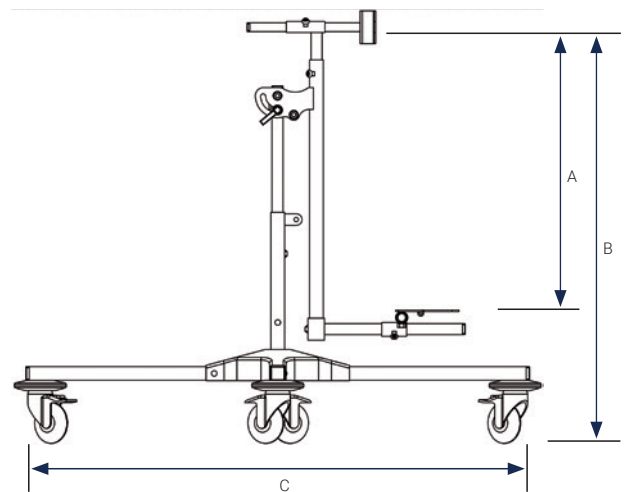
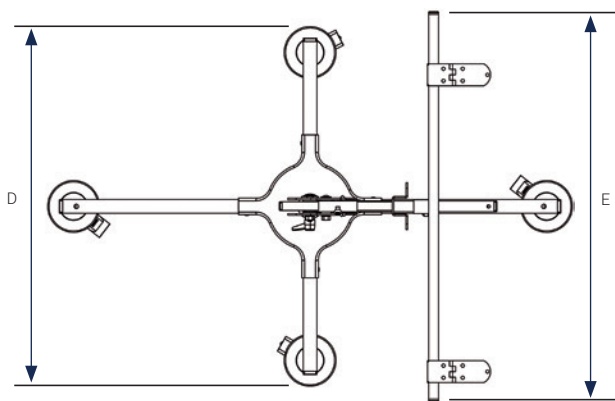
- Mounting of the standing shell at three points, gradual angle adjustment
- Cross floor wheelbase allowing freedom in foot abduction placement
- Shell in ventral or dorsal position
- Simple and precise adjustment, using a mechanical cylinder (optional)



Reference	T63-V100
Type	Wheeled frame for standing shell
Frame colour	BK BJ BL GN PK PR R
Casing colour	Black, yellow, red
Adjustments	Height, angle (max. 90°), shell bracket, foot abduction
Patient data	Weight limit: 20 kg / Size limit: 1.20 m / Age limit: 8 years old*

*As a guide

Frame dimensions

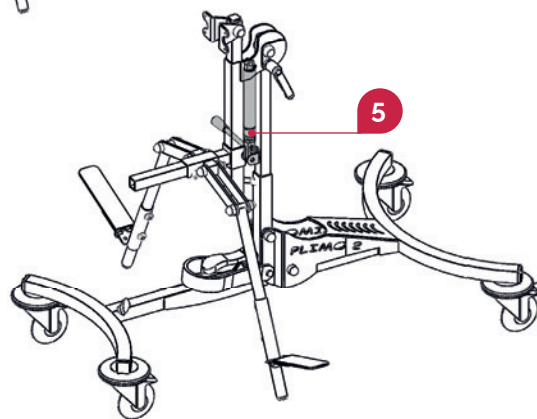
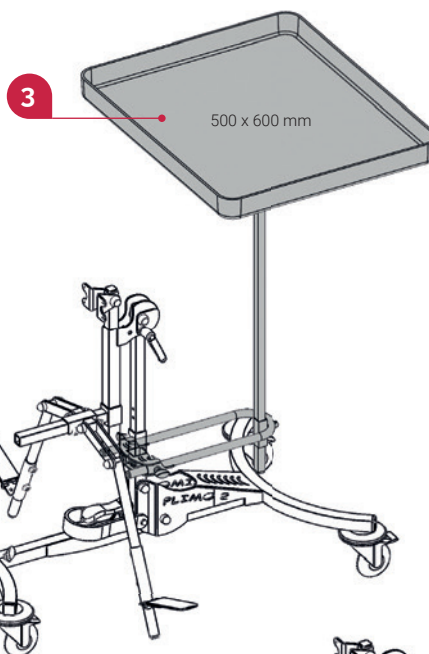
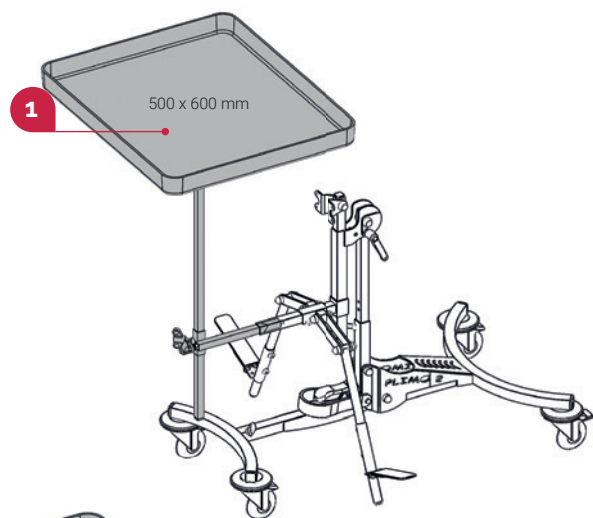
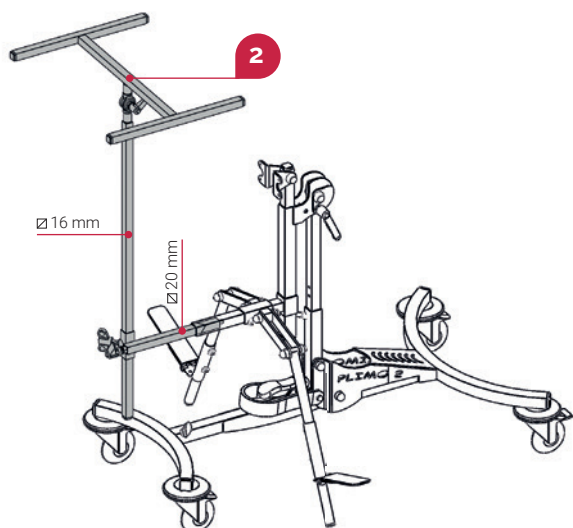


A - Mounting height	from 350 mm to 600 mm
B - Total height	from 680 mm to 930 mm
C - Length	950 mm
D - Wheelbase	660 mm
E - Abduction	from 200 mm to 700 mm



STANDING FRAMES

Add-ons



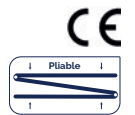
	Types	References
	PLIMO ² frame	T62-V100
1	Dorsal tray bracket with white tray	T90-V105BC1
	Dorsal tray bracket with transparent tray	T90-V105TRC1
2	Dorsal tray bracket	T90-V105
	Ventral tray bracket with white tray	T90-V104BC1
3	Ventral tray bracket with transparent tray	T90-V104TRC1
4	Ventral tray bracket	T90-V104
5	Cylinder	T6260-60

Plimo²

PLIMO²

Foldable, mobile standing frame providing optimum stability thanks to its floor wheelbase adjustment system. The Plimo² is recognised as a reference in the field of standing frames.

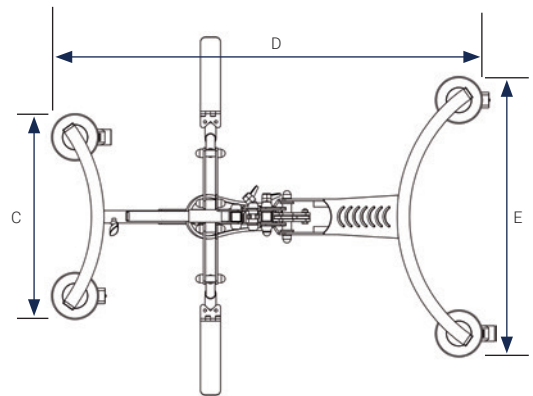
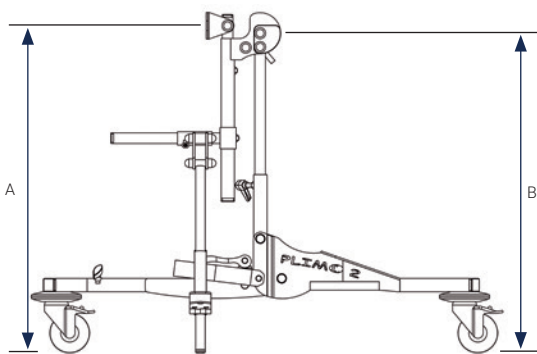
- Foldable frame
- Ergonomic adaptation in the mounting of the standing device shell, gradual adjustment of the wheelbase and angle
- Shell in ventral or dorsal position
- Simple and precise adjustment, using a mechanical cylinder (optional)



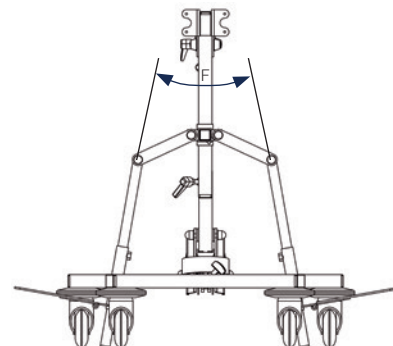
Reference	T62-V100:
Type	Wheeled frame for standing device with mechanical cylinder
Frame colours	BK BJ BL GN PK PR R
Adjustments	Height, angle (max. 90°), shell bracket, foot abduction
Patient data	Weight limit: 20 kg / Size limit: 1.20 m / Age limit: 8 years old*

*As a guide

Frame dimensions

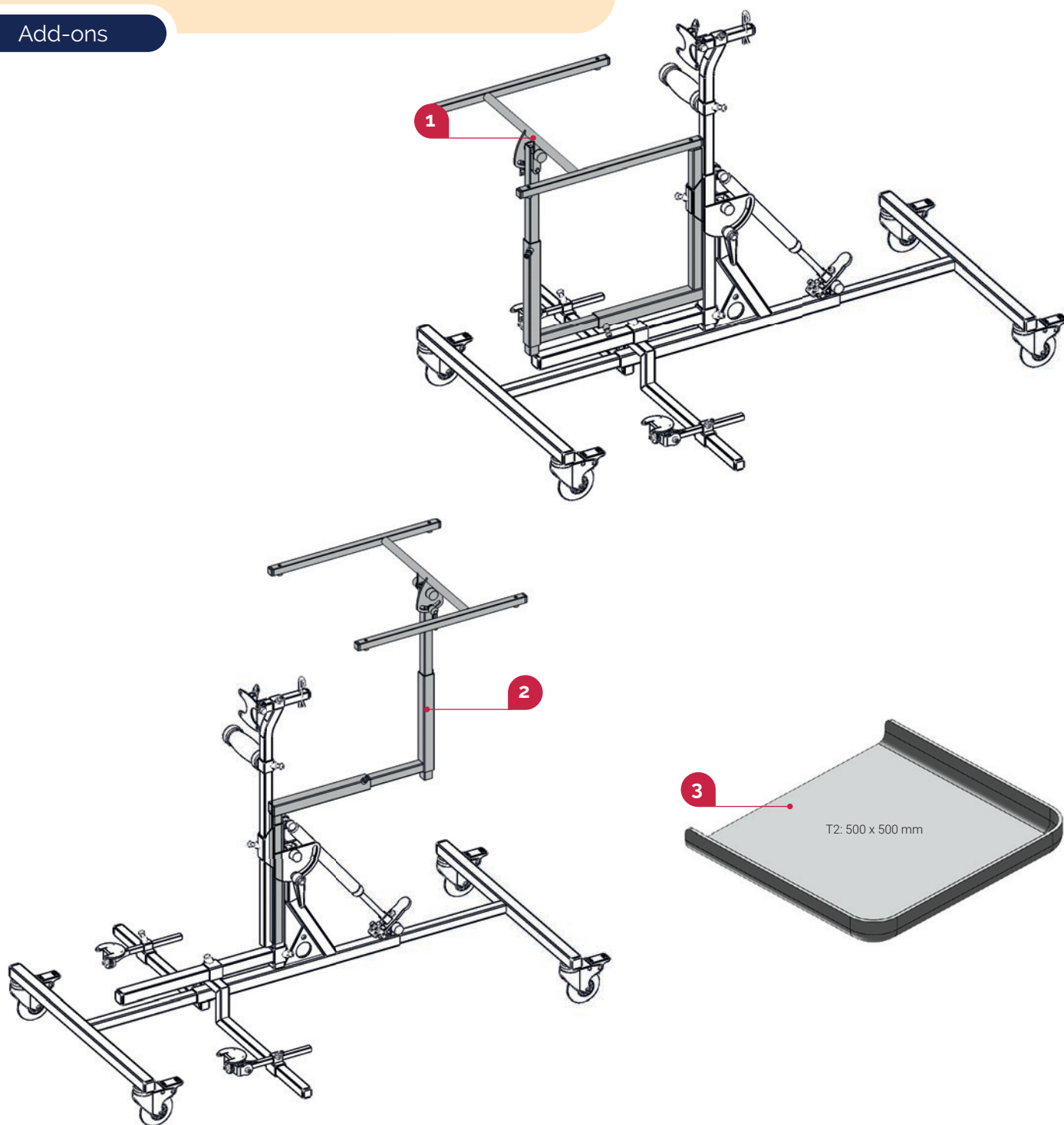


A - Total height	from 615 mm to 730 mm
B - Max. navel positioning	600 mm
C - Front wheelbase	415 mm
D - Length	from 865 mm to 1080 mm
E - Rear wheelbase	565 mm
F - Abduction angle	from 0 to 180°



STANDING FRAMES

Add-ons



	Types	Sizes	References
	LITTLE frame		RAVLIT-V100
1	Dorsal tray bracket		RAVOCS-V104
2	Ventral tray bracket		RAVOCS-V104
3	White tray	T2	RAVOCS8-16B2
		T3	RAVOCS8-16B3
	Transparent tray	T2	RAVOCS8-16TR2
		T3	RAVOCS8-16TR3



LITTLE

The LITTLE is a standing base designed for children, compatible with various types of front or rear shells. Lightweight and manually height-adjustable, it is equipped with a gas strut allowing easy adjustment of the shell angle. All the wheels are swivel wheels and fitted with brakes.

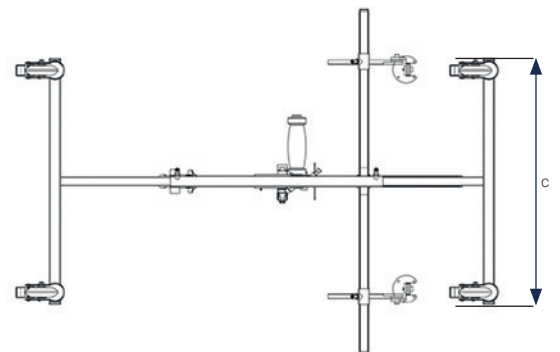
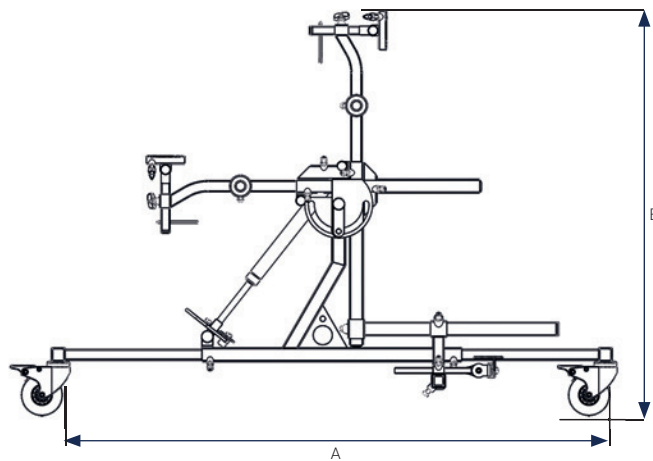
- Angle adjustment by foot gas strut
- Wheelbase adjustment
- Removable and lightweight



Reference	RAVLIT-V100
Type	Wheeled frame for front or rear shell with foot strut
Frame colour	BK
Adjustments	Angle (from 0° to 90° max.), wheelbase adjustment from 500 to 900 mm
Patient data	Weight limit: 45 kg (patient + shell) / Size limit: 1.40 m / Age limit: 12 years old*

*As a guide

Frame dimensions



A - Length	500 mm to 900 mm
B - Max. height	735 mm
C - Wheelbase	496 mm

STANDING FRAMES

Add-ons



	Types	Sizes	References
	PIGGY frame		RAVPIG-V100
1	Dorsal tray bracket		RAVOCS-V101
2	Ventral tray bracket		RAVOCS-V100
3	White tray	T2	RAVOCS8-16B2
		T3	RAVOCS8-16B3
	Transparent tray	T2	RAVOCS8-16TR2
		T3	RAVOCS8-16TR3



PIGGY

PIGGY is a standing platform specially designed for adolescents. Its simple, practical mounting system makes it possible to easily fit a front or rear shell. With its width- and length-adjustable wheelbase, it offers excellent stability. In addition, all the wheels are swivel wheels and fitted with brakes.

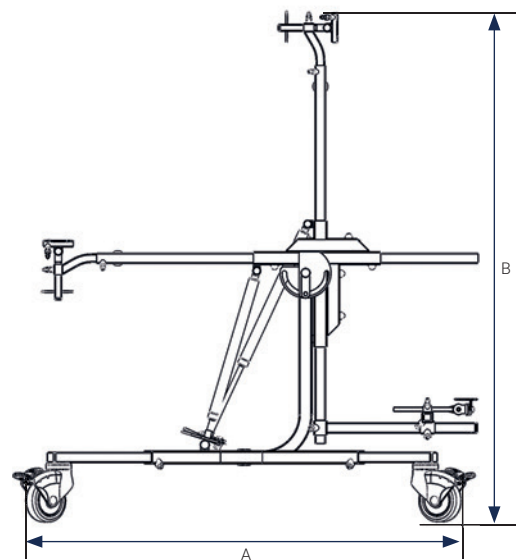
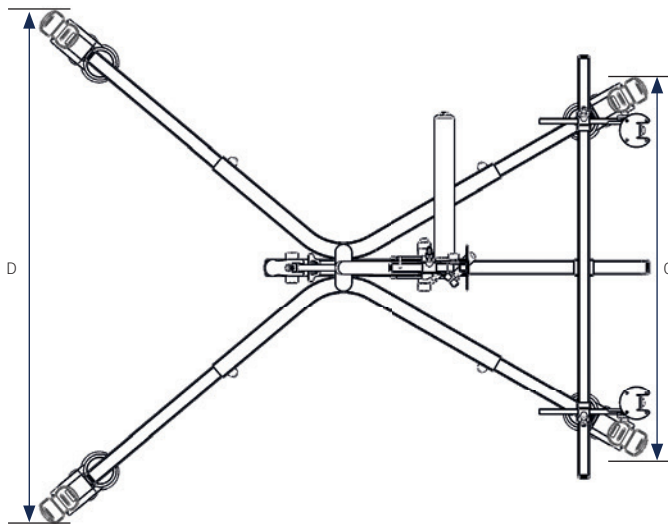
- Angle adjustment by gas strut
- Wheelbase adjustment
- 3-plane foot adjustment



Reference	RAVPIG-V100
Type	Wheeled frame for front or rear shell with foot gas strut
Frame colour	BK
Adjustments	Angle (from 0° to 90° max.) by gas strut, adjustment of wheelbase from 550 to 1010 mm
Patient data	Weight limit: 75 kg (patient + shell) / Size limit: 1.60 m / Age limit: young adult*

*As a guide

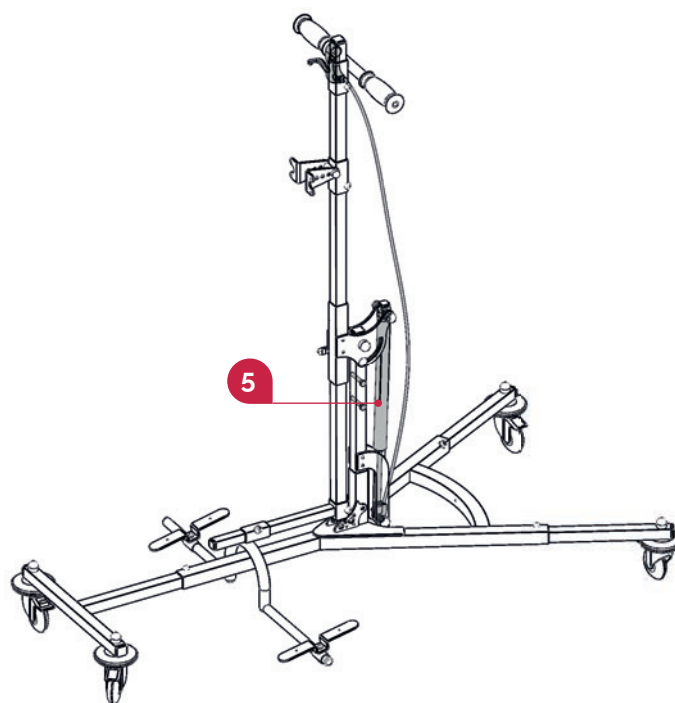
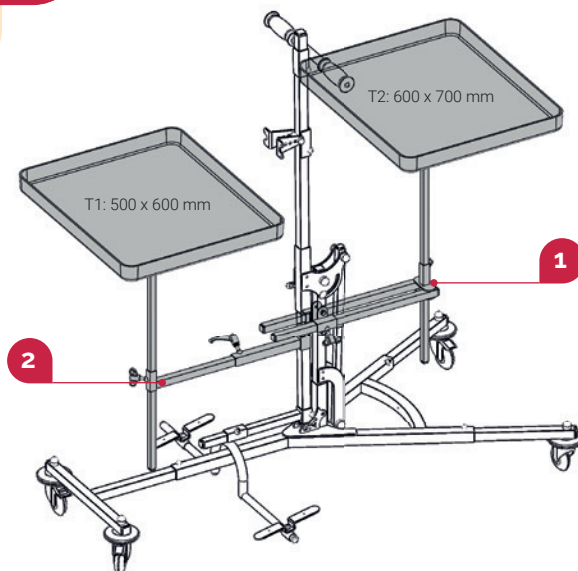
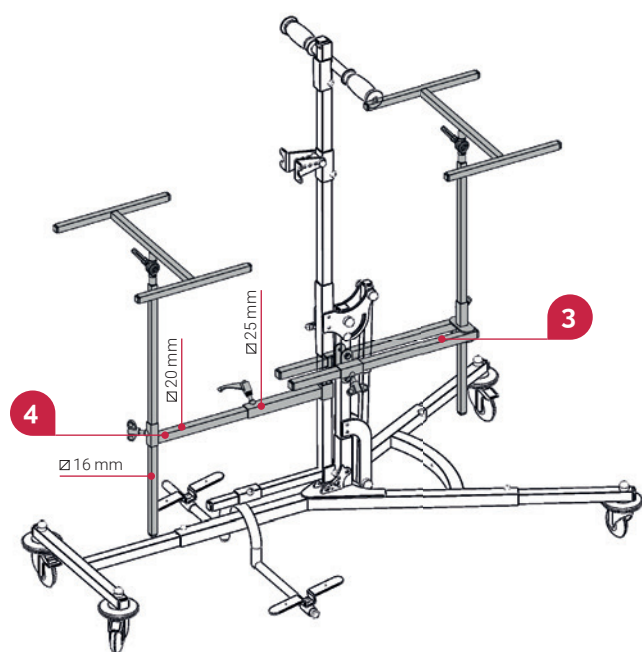
Frame dimensions



A - Length	from 550 mm to 1010 mm
B - Max. height	1600 mm
C - Front wheelbase	from 435 mm to 600 mm
D- Rear wheelbase	from 752 mm to 825 mm

STANDING FRAMES

Add-ons



	Types	Sizes	References	
	UPSIL0 frame		<i>Mechanical cylinder:</i> T68-1	<i>Hydraulic cylinder:</i> T68-V1
1	Ventral tray bracket with white tray	T1	T90-V109BC1	
		T2	T90-V109RBC2	
	Ventral tray bracket with transparent tray	T1	T90-V109TRC1	
		T2	T90-V109RTRC2	
2	Dorsal tray bracket with white tray	T1	T90-V100BC1	
		T2	T90-V100BC2	
	Dorsal tray bracket with transparent tray	T1	T90-V100TRC1	
		T2	T90-V100TRC2	
3	Ventral tray bracket		T90-V109	
4	Dorsal tray bracket		T90-V100	
5	Strut kit		T6850-1	<i>Included</i>

Upsilo

UPSILO

UPSILO is a wheeled frame for a standing device with a mechanical or hydraulic cylinder. Equipped with adjustable wheelbases and assisted reclining, it combines comfort and adaptability.

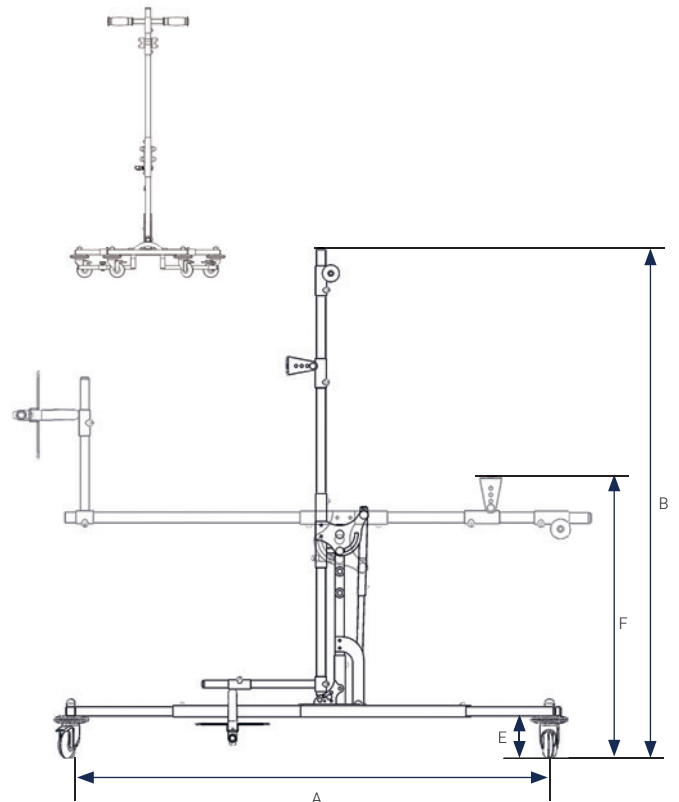
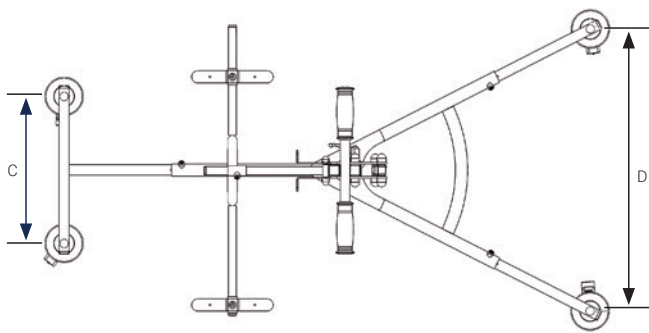
- Simple and precise adjustment, using a mechanical or hydraulic cylinder
- Straightforward transfer from a wheelchair
- The standing shell can be fitted in the dorsal or ventral position
- Adjustable front and rear wheelbases



Reference	T68-1	T68-V1
Type	Wheeled frame for standing device with mechanical cylinder	Wheeled frame for standing device with mounted hydraulic cylinder
Frame colours	<div style="display: flex; justify-content: space-around; align-items: center;"> BK BJ BL GN PK PR R </div>	
Adjustments	Height, angle (90° max), adjustable wheelbase	
Patient data	Weight limit: 50 kg / Size limit: 1.50 m / Age limit: 14 years old*	

*As a guide

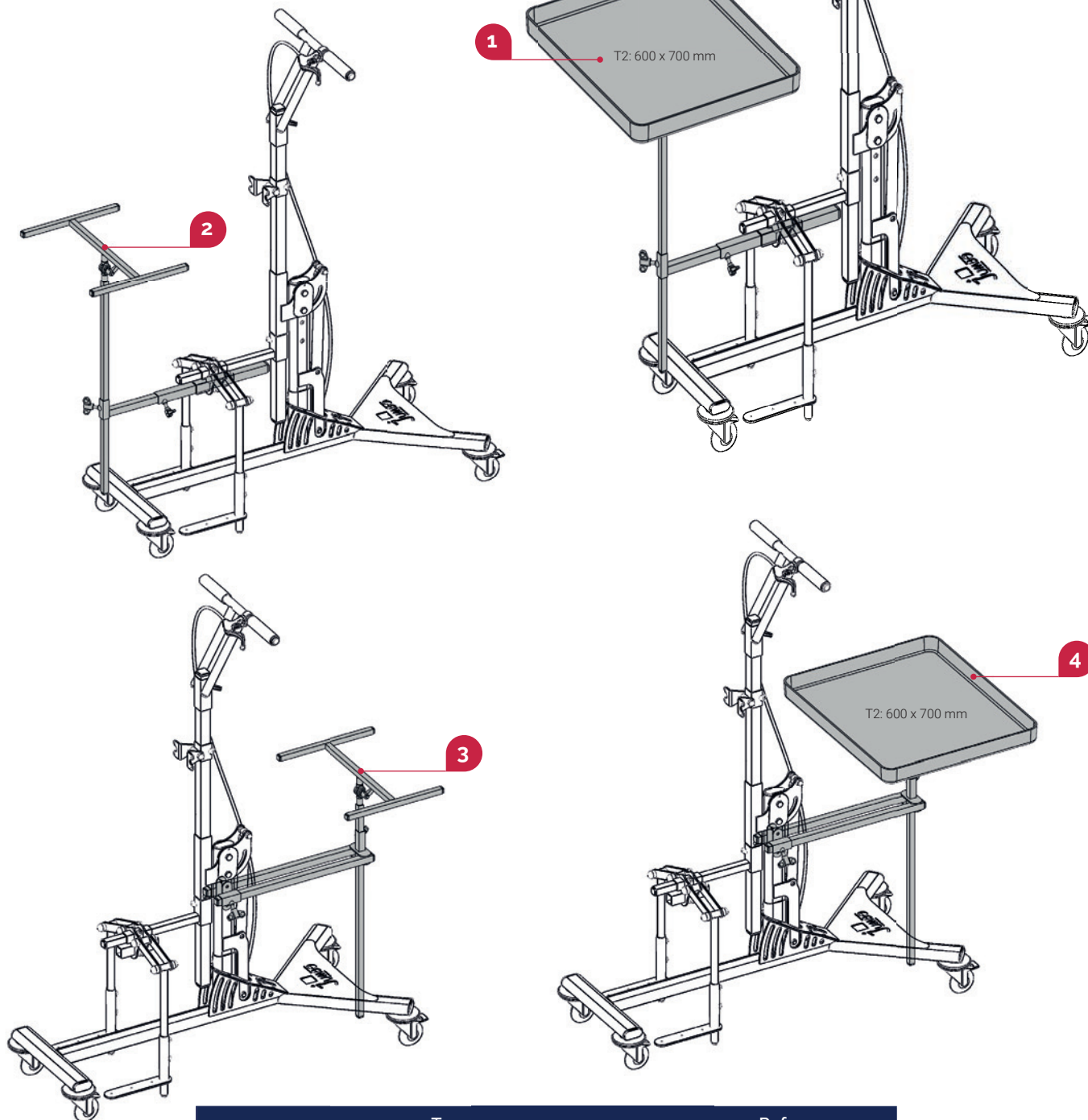
Frame dimensions



A - Length	from 850 mm to 1290 mm
B - Total height	1350 mm
C - Front wheelbase	360 mm
D - Rear wheelbase	from 500 mm to 690 mm
E - Height under frame	112.5 mm
F - Horizontal position height	750 mm

STANDING FRAMES

Add-ons



	Types	References
	JUMBO CADET frame	T64-0
1	Dorsal tray bracket with white tray	T90-V110BC1
	Dorsal tray bracket with transparent tray	T90-V110TRC1
2	Dorsal tray bracket	T90-V110
3	Ventral tray bracket	T90-V109
	Ventral tray bracket with white tray	T90-V109BC1
4	Ventral tray bracket with transparent tray	T90-V109TRC1



JUMBO Cadet

The JUMBO Cadet is a safe, comfortable, mobile standing device. Its reclining angle is assisted by a hydraulic cylinder, facilitating its use.

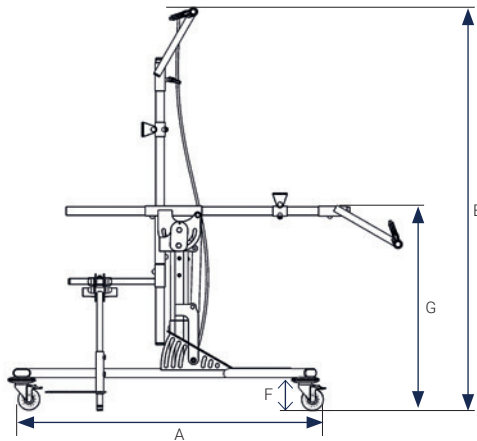
- Reclining assisted by hydraulic cylinder
- Straightforward transfer from a wheelchair
- Removable handle storage holder



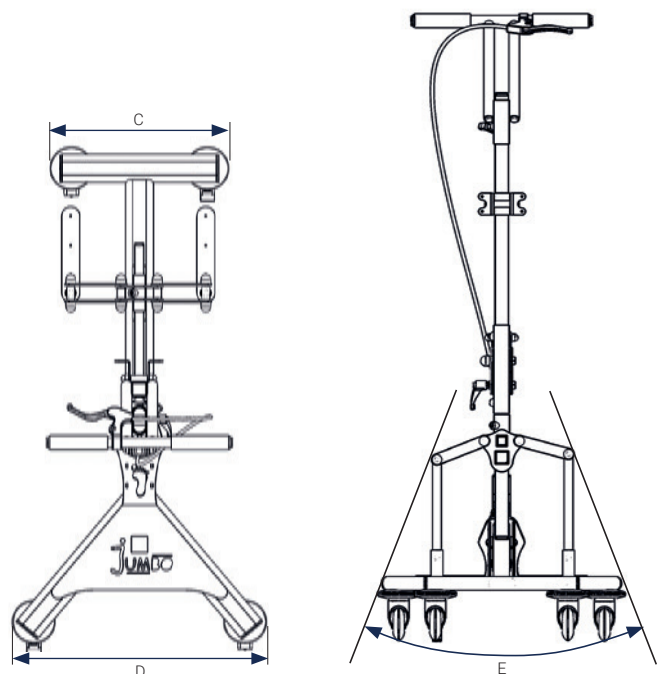
Reference	T64-o							
Type	Wheeled frame for standing shell							
Frame colours	<table border="1"> <tr> <td>BK</td> <td>BJ</td> <td>BL</td> <td>GN</td> <td>PK</td> <td>PR</td> <td>R</td> </tr> </table>	BK	BJ	BL	GN	PK	PR	R
BK	BJ	BL	GN	PK	PR	R		
Adjustments	Height, reclining angle (90° max), abduction							
Patient data	Weight limit: 40 kg / Size limit: 1.40 m / Age limit: 12 years old*							

*As a guide

Frame dimensions

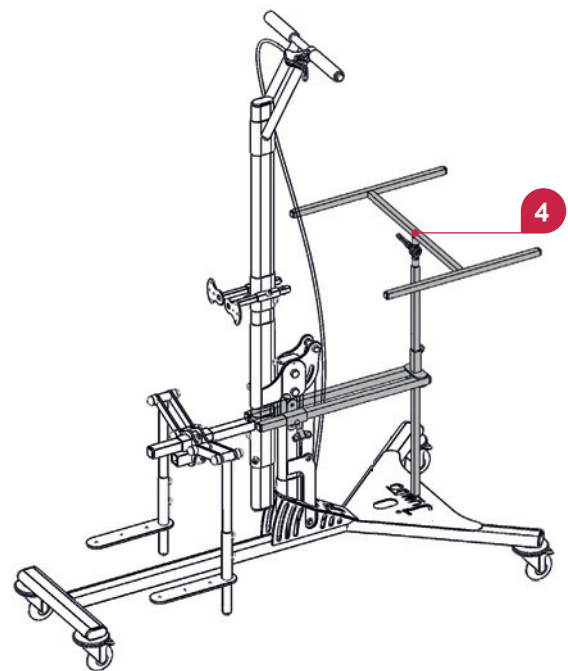
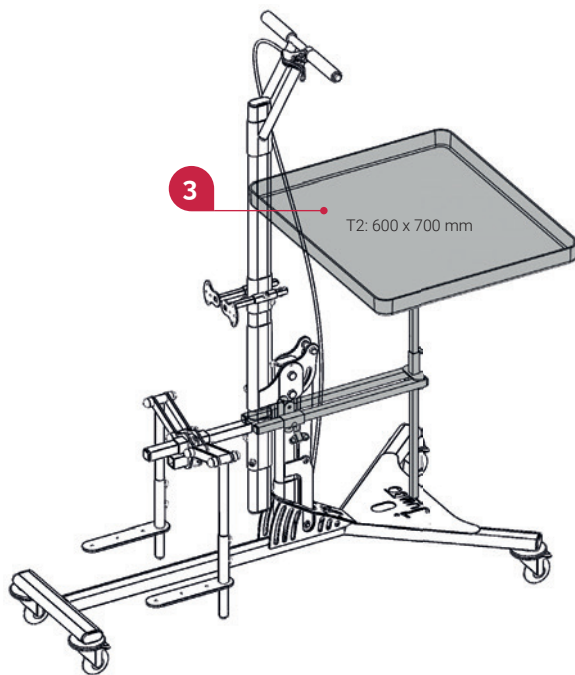
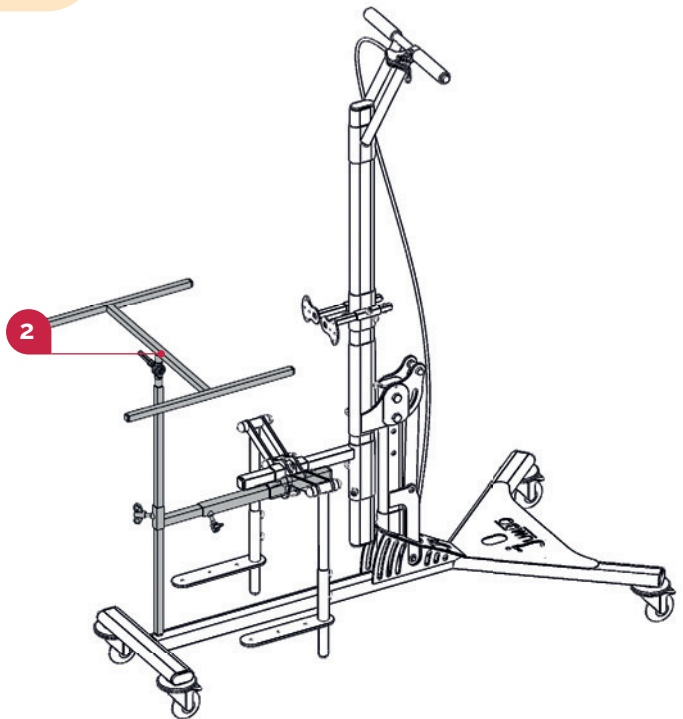


A - Length	1100 mm
B - Total height	1200 mm
C - Front wheelbase	395 mm
D - Rear wheelbase	565 mm
E - Abduction angle	from 0 to 180°
F - Height under frame	114.5 mm
G - Horizontal position height	664 mm



STANDING FRAMES

Add-ons



	Types	References
	JUMBO JUNIOR frame	T64-1
	Dorsal tray bracket with white tray	T90-V110RBC2
1	Dorsal tray bracket with transparent tray	T90-V110RTRC2
2	Dorsal tray bracket	T90-V110R
	Ventral tray bracket with white tray	T90-V109RBC2
3	Ventral tray bracket with transparent tray	T90-V109RTRC2
4	Ventral tray bracket	T90-V109R



JUMBO Junior

The Jumbo in the junior version allows adolescents of up to 60 kg to stand whilst retaining the safety and stability of the assembly.

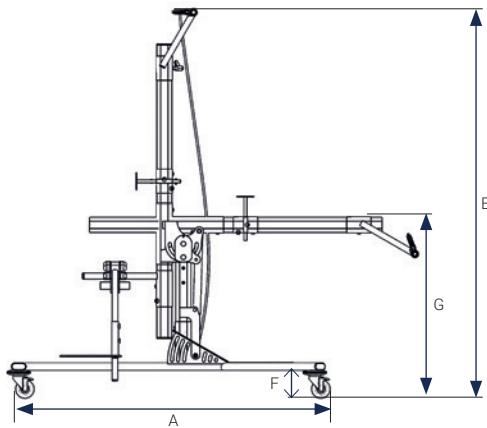
- Reclining assisted by hydraulic cylinder
- Straightforward transfer from a wheelchair
- Removable handle storage holder



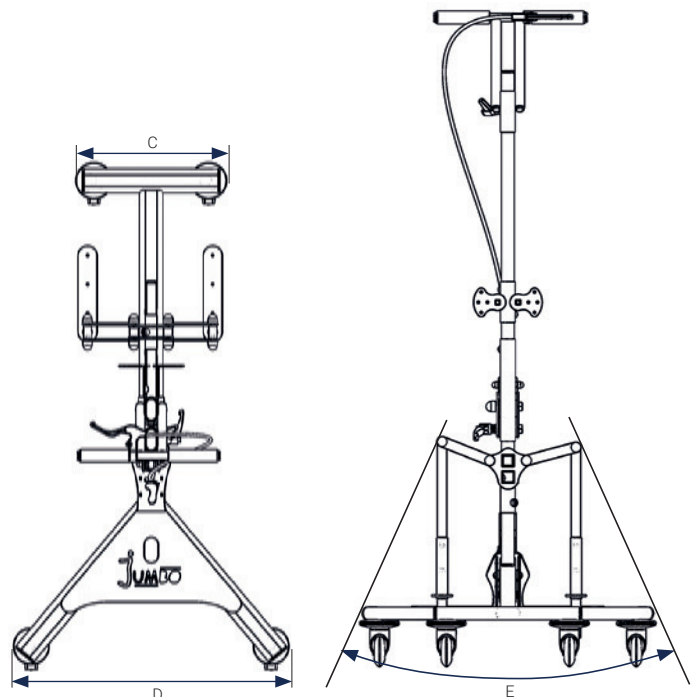
Reference	T64-1
Type	Wheeled frame for standing shell
Frame colours	BK BJ BL GN PK PR R
Adjustments	Height, reclining angle (90° max), abduction
Patient data	Weight limit: 60 kg / Size limit: 1.60 m / Age limit: young adult*

*As a guide

Frame dimensions

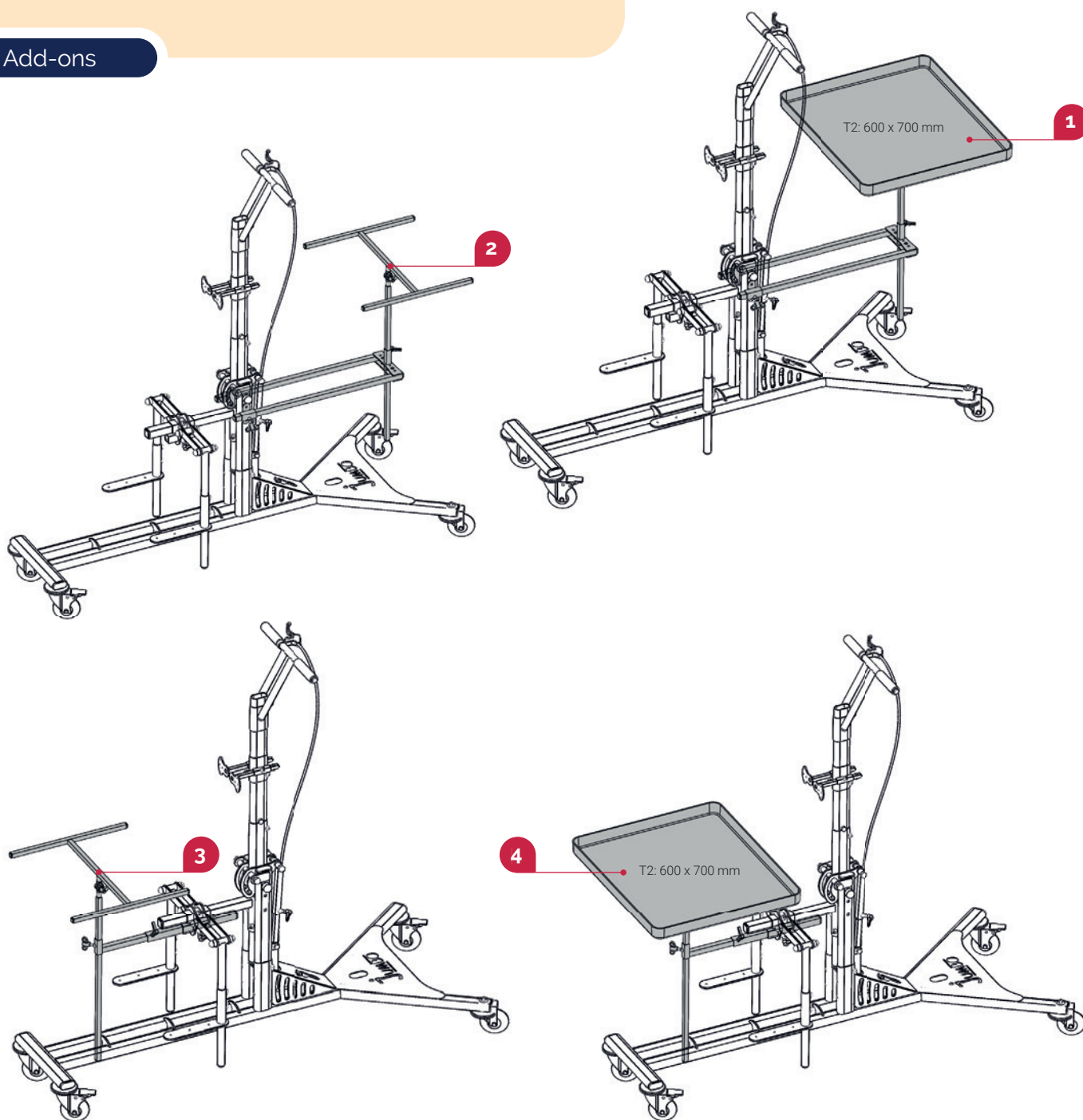


A - Length	1300 mm
B - Total height	1270 mm
C - Front wheelbase	395 mm
D - Rear wheelbase	715 mm
E - Abduction angle	from 0 to 180°
F - Height under frame	114.5 mm
G - Horizontal position height	745 mm



STANDING FRAMES

Add-ons



	Types	References
	JUMBO SENIOR frame	T64-2N
1	Ventral tray bracket with white tray	T90-V107RBC2
	Ventral tray bracket with transparent tray	T90-V107RTRC2
2	Ventral tray bracket	T90-V107R
3	Dorsal tray bracket	T90-V110R
	Dorsal tray bracket with white tray	T90-V110RBC2
4	Dorsal tray bracket with transparent tray	T90-V110RTRC2



JUMBO Senior

This wheel base is designed for adults weighing up to 100 kg, offering strength and robustness. Thanks to its simplified centre of gravity, it guarantees optimum stability.

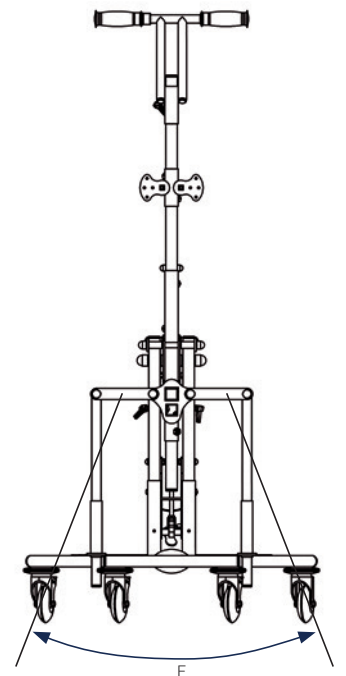
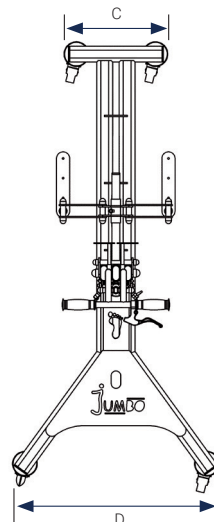
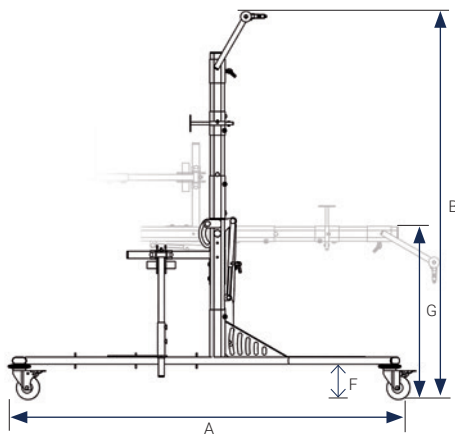
- Reclining assisted by hydraulic cylinder
- Straightforward transfer from a wheelchair
- Combines stability, strength and safety
- Black frame with chrome matt finish



Reference	T64-2N
Type	Wheeled frame for standing device
Frame colours	BK
Adjustments	Height, reclining angle (90° max), abduction
Patient data	Weight limit: 100 kg / Size limit: 1.80 m / Age limit: adult*

*As a guide

Frame dimensions

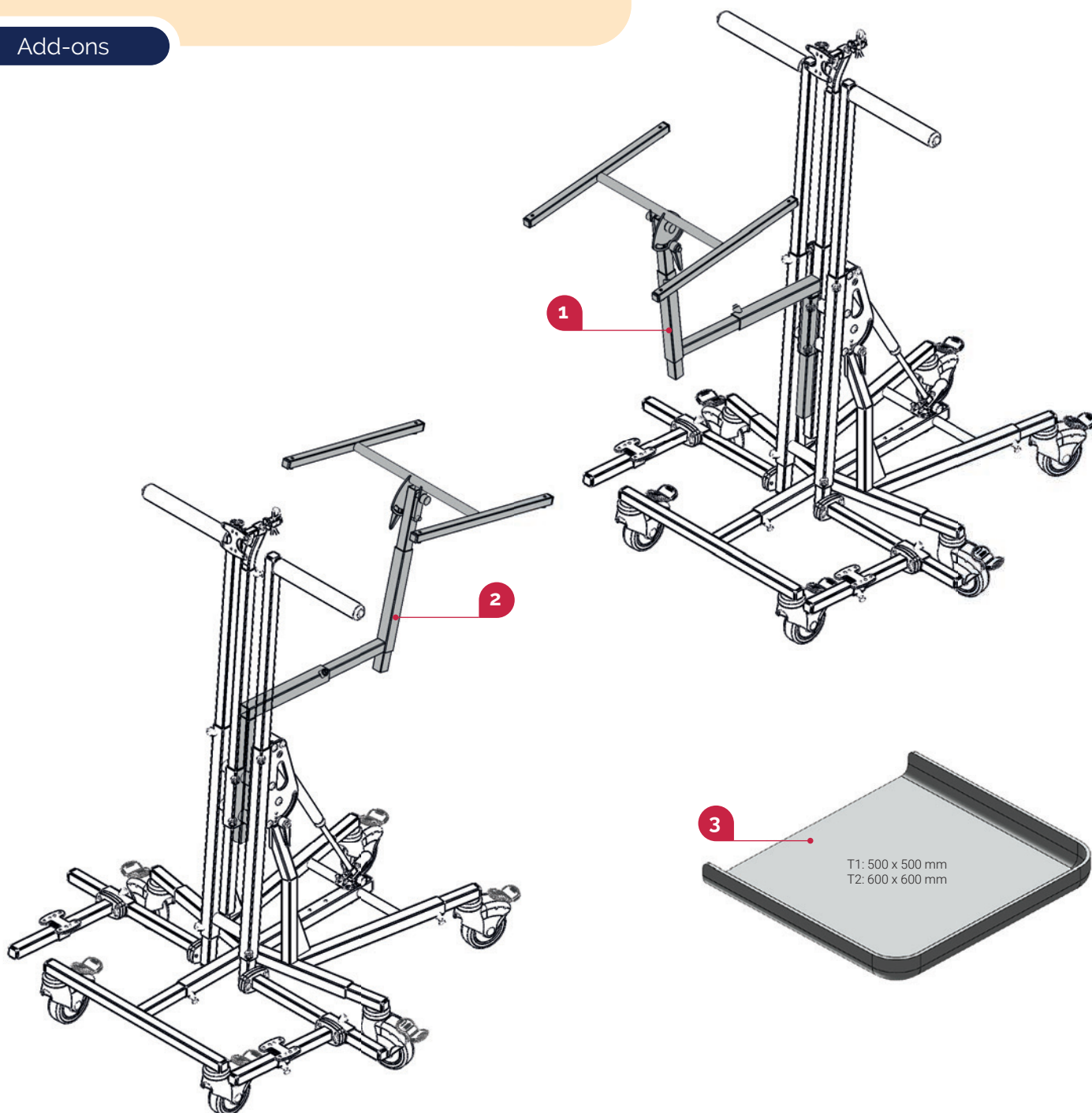


A - Length	1650 mm
B - Total height	1500 mm
C - Front wheelbase	395 mm
D - Rear wheelbase	785 mm
E - Abduction angle	from 0 to 180°
F - Height under frame	149 mm
G - Horizontal position height	717 mm



STANDING FRAMES

Add-ons



	Types	Sizes	References
	BERY frame		RAVBER-V100
1	Dorsal tray bracket		RAVOCS-V102
2	Ventral tray bracket		RAVOCS-V102
3	White tray	T1	RAVOCS8-16B2
		T2	RAVOCS8-16B3
	Transparent tray	T1	RAVOCS8-16TR2
		T2	RAVOCS8-16TR3



BERY

The BERY is a standing frame designed for adults. It offers the possibility of mounting a front or rear shell in a low position, close to the floor.

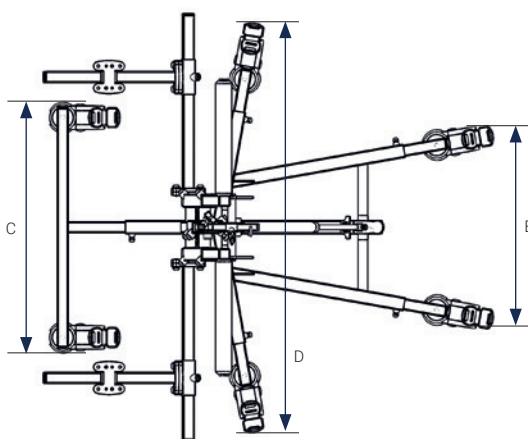
- Angle adjustment by foot gas strut
- Abduction and depth adjustment of foot segment
- Wheelbase adjustment



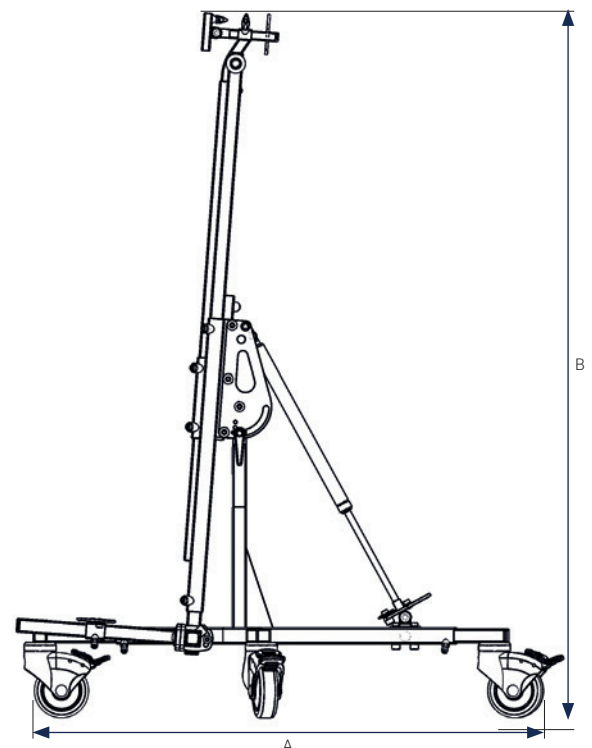
Reference	RAVBER-V100
Type	Wheeled frame for standing shell
Frame colour	BK
Adjustments	Angle, abduction and depth adjustment of foot segment, wheelbase adjustment
Patient data	Weight limit: 90 kg (patient + shell) / Size limit: 1.80 m / Age limit: adult*

*As a guide

Frame dimensions

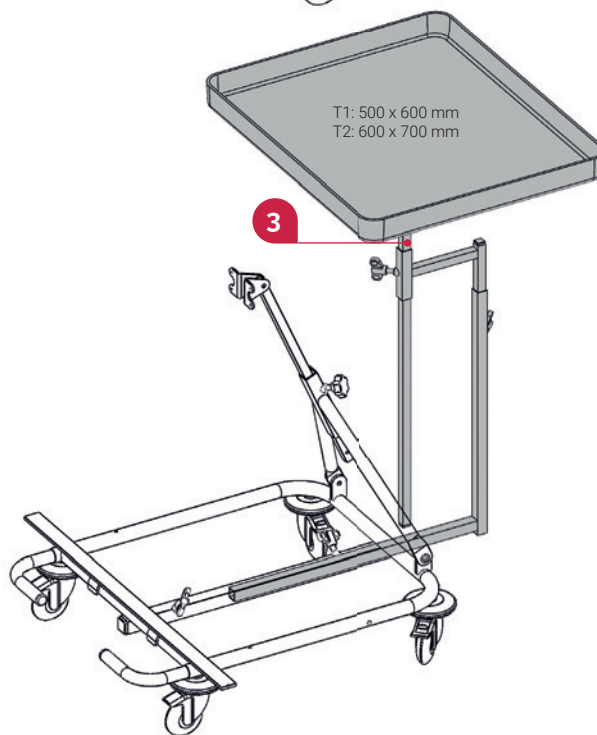
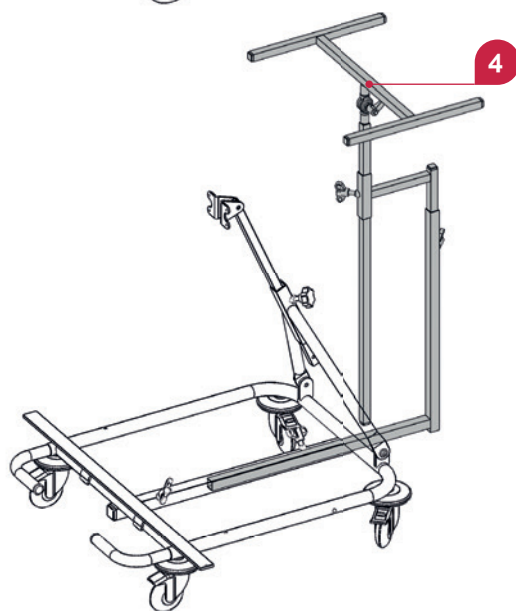
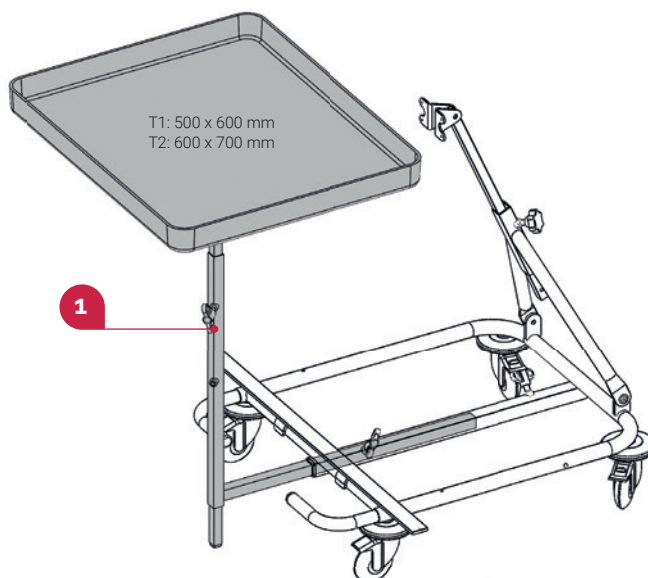
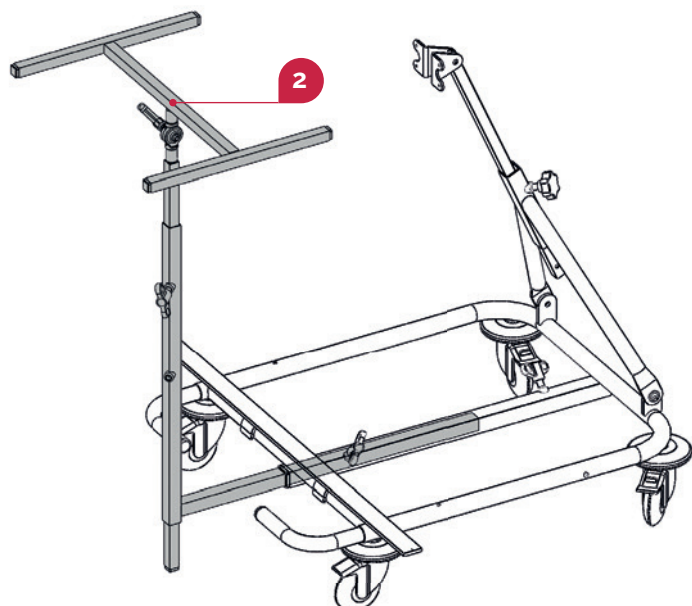


A - Width	from 380 mm to 1143 mm
B - Max. height	1700 mm
C - Front wheelbase	500 mm
D - Central wheelbase	from 725 mm to 1020 mm
E - Rear wheelbase	from 360 mm to 435 mm



STANDING FRAMES

Add-ons



	Types	Sizes	References
	VERTILO frame		T5-x
1	Dorsal tray bracket with white tray	T5-1	T90-V111BC1
		T5-2	T90-V111RBC2
		T5-3	T90-V111TRC1
	Dorsal tray bracket with transparent tray	T5-1	T90-V111TRC1
		T5-2	T90-V111RTRC2
		T5-3	T90-V111R
2	Dorsal tray bracket	T5-1	T90-V111
		T5-2	
		T5-3	

	Types	Sizes	References
3	Ventral tray bracket with white tray	T5-1	T90-V103BC1
		T5-2	T90-V103RBC2
		T5-3	T90-V103TRC1
	Ventral tray bracket with transparent tray	T5-1	T90-V103TRC1
		T5-2	T90-V103RTRC2
		T5-3	T90-V103R
4	Ventral tray bracket	T5-1	T90-V103
		T5-2	
		T5-3	TT90-V103R

Vertilo

VERTILO

The VERTILO frame is equipped with anti-tip extensions guaranteeing total security when standing. Easy to use, it offers several patient installation possibilities.

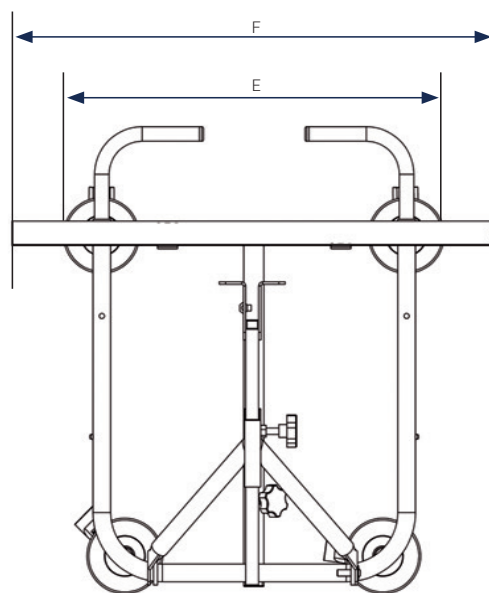
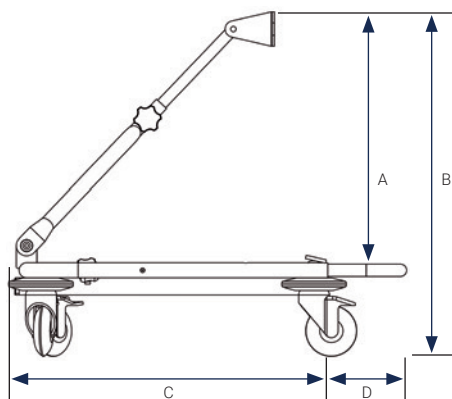
- Angle adjustment
- Can be folded for easy storage and transport
- The standing shell can be fitted in the dorsal or ventral position
- Multiple possibilities for positioning the patient



Reference	T5-x		
Type	Wheeled frame for standing shell		
Frame colours	<div style="display: flex; justify-content: space-around; align-items: center;"> <div style="background-color: #333; color: white; padding: 2px 5px;">BK</div> <div style="background-color: #000080; color: white; padding: 2px 5px;">BJ</div> <div style="background-color: #0000FF; color: white; padding: 2px 5px;">BL</div> <div style="background-color: #008000; color: white; padding: 2px 5px;">GN</div> <div style="background-color: #800080; color: white; padding: 2px 5px;">PK</div> <div style="background-color: #800000; color: white; padding: 2px 5px;">PR</div> <div style="background-color: #FF0000; color: white; padding: 2px 5px;">R</div> </div>		
Sizes	Size 1: T5-1	Size 2: T5-2	Size 3: T5-3
Dimensions	490 x 500 mm	590 x 600 mm	850 x 750 mm
Patient data	Weight limit: 20 kg / Size limit: 1.20 m Age limit: 8 years old*	Weight limit: 30 kg / Size limit: 1.30 m Age limit: 10 years old*	Weight limit: 50 kg / Size limit: 1.50 m Age limit: 14 years old*

*As a guide

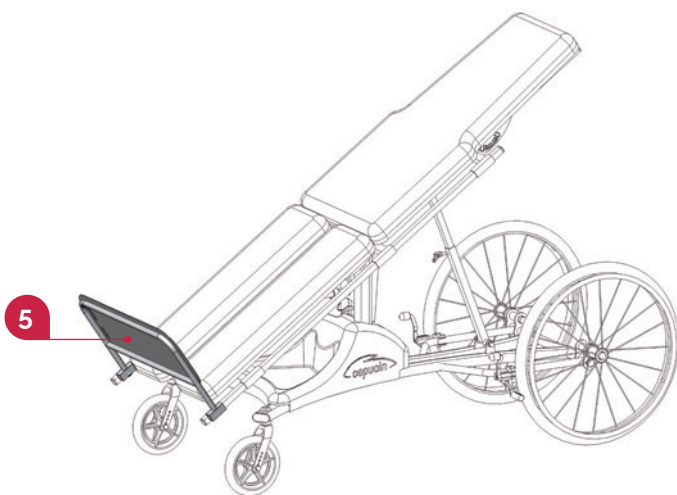
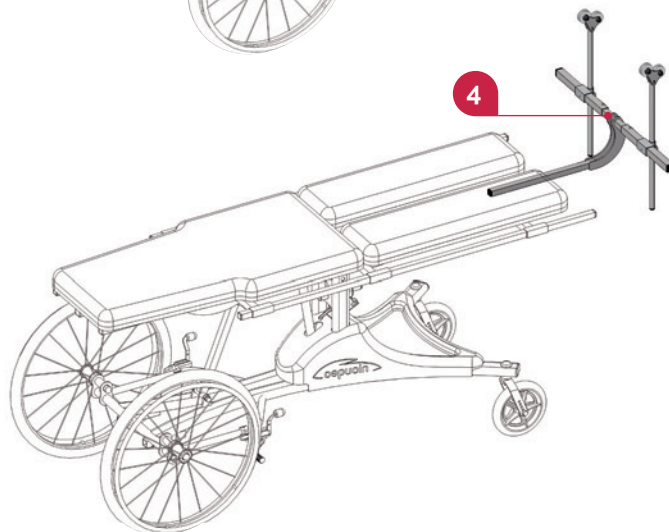
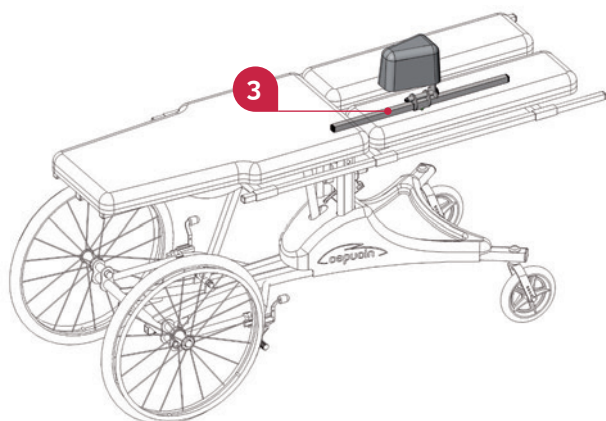
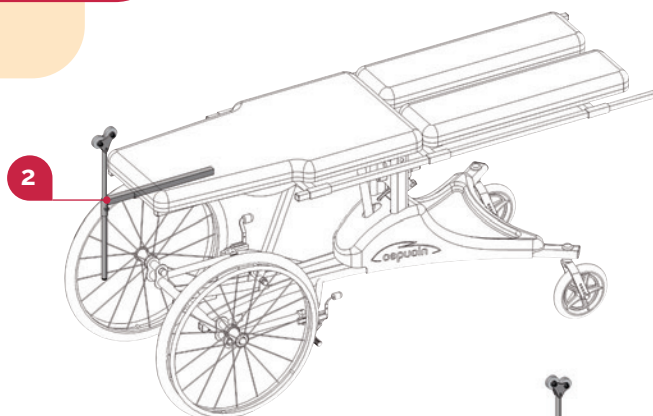
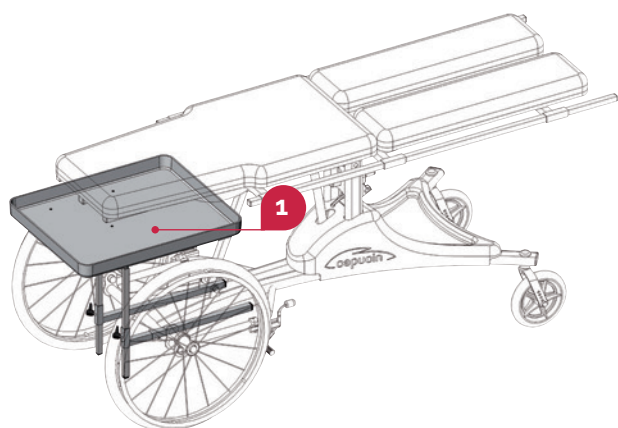
Frame dimensions



	T5-1	T5-2	T5-3
A - Mounting height	340 mm	500 mm	530 mm
B - Total height	490 mm	650 mm	680 mm
C - Length	490 mm	590 mm	850 mm
D - Extension	230 mm	310 mm	350 mm
E - Wheelbase	500 mm	600 mm	750 mm
F - Abduction	600 mm	700 mm	800 mm

STANDING FRAMES

Add-ons



	Types	References
	CAPUCIN frame	TVH1
1	Ventral tray bracket with transparent tray	TVH1-102
2	Cervical traction module	TVH1-103
3	Removable abduction module	TVH1-107
4	Leg traction module	TVH1-104
5	Footrest	TVH1-105
6	Dorsal tray bracket with transparent tray	TVH1-101



CAPUCIN

The Capucin frame is a manually propelled table for lying down, designed to offer optimum positioning when the patient lies on their front or back. This flat frame that is both manoeuvrable and functional allows easy, effective use to treat patients safely.

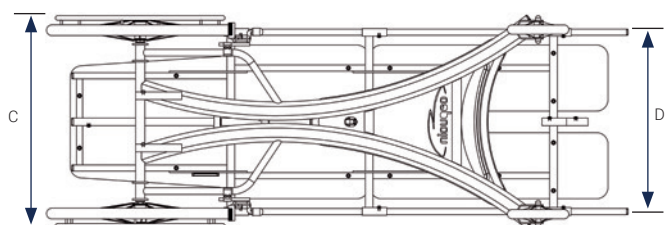
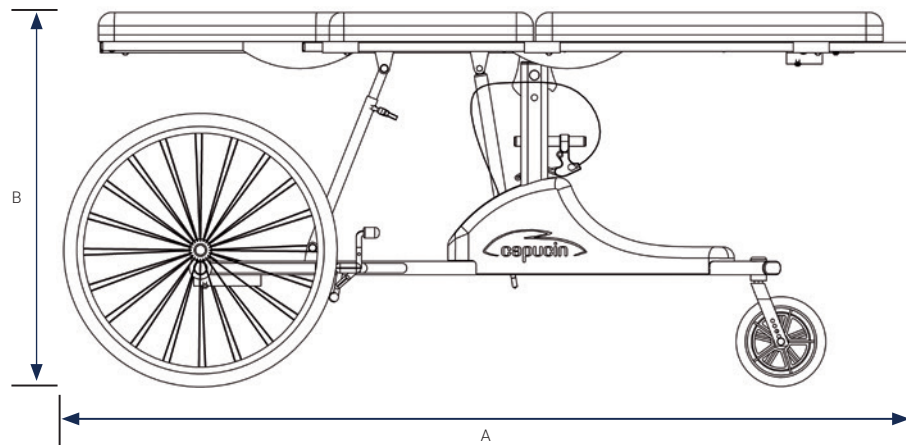
- Positioning in ventral or dorsal decubitus position
- Leg or cervical traction
- Angle of the platform
- Delivered with retractable barriers



Reference	TVH1
Type	Manually propelled trolley
Frame colour	     
Adjustments	Angle of platform from -10° to +40°
Patient data	Weight limit: 100 kg / Size limit: 1.80 m / Age limit: adult*

*As a guide

Frame dimensions

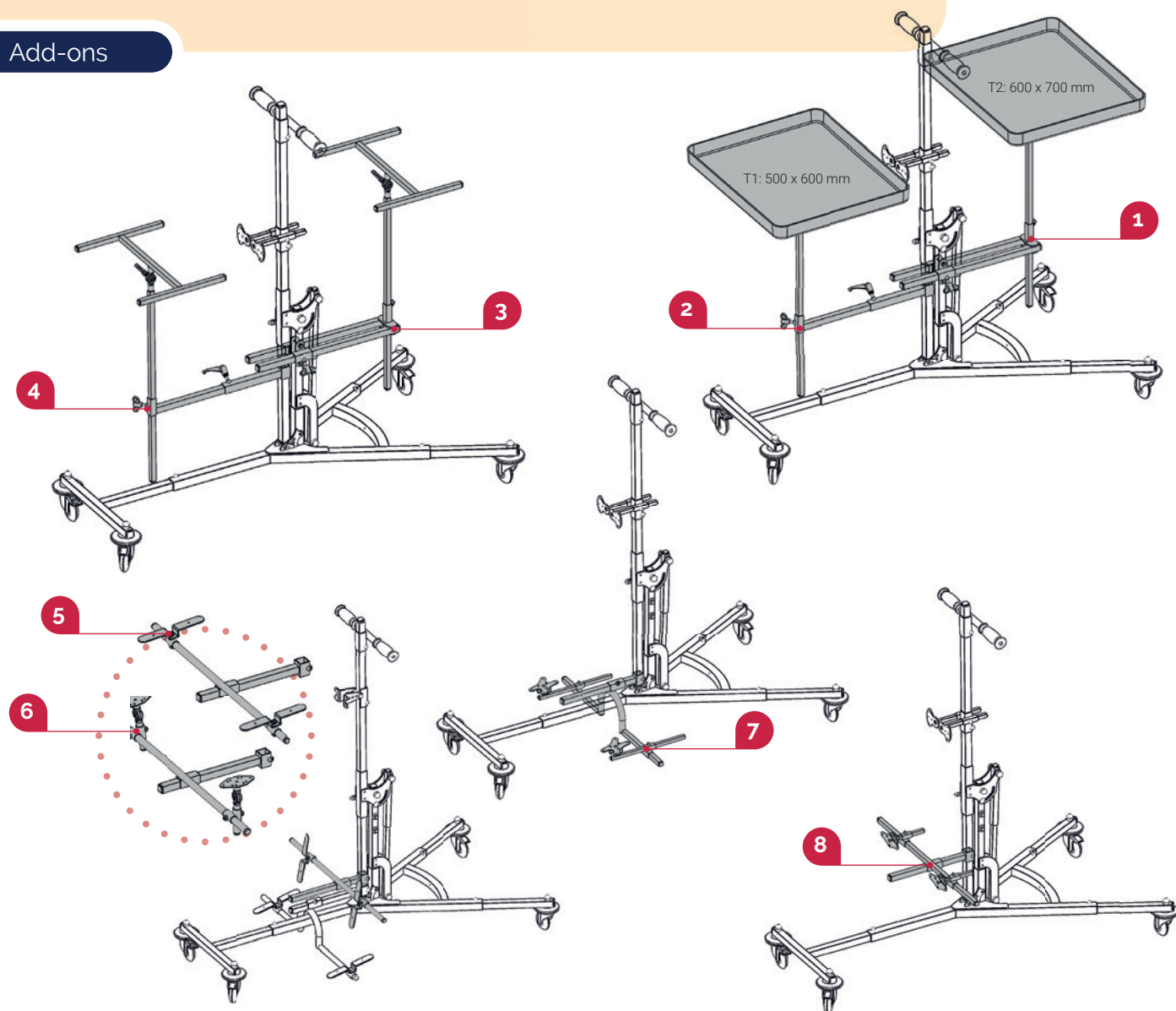


A - Length	1827 mm
B - Total height	834 mm
C - Front width	690 mm
D - Rear width	600 mm



SEGMENTED STANDING FRAME

Add-ons



Types		Sizes	References	
UPSILO SEGMENTED SHELL frame			<i>Mechanical cylinder:</i> T68SEG-1	<i>Hydraulic cylinder:</i> T68SEG-V1
1	Ventral tray bracket with white tray	T1	T90-V109BC1	
		T2	T90-V109RBC2	
	Ventral tray bracket with transparent tray	T1	T90-V109TRC1	
		T2	T90-V109RTRC2	
2	Dorsal tray bracket with white tray	T1	T90-V100BC1	
		T2	T90-V100BC2	
	Dorsal tray bracket with transparent tray	T1	T90-V100TRC1	
		T2	T90-V100TRC2	
3	Ventral tray bracket		T90-V109	
4	Dorsal tray bracket		T90-V100	
5	Mounting kit: swivel slides		T90SEG2-1	
6	Mounting kit: hinged slides		T90SEG2-2	
7	Foot segment mounting bracket		T90SEG3-1	
8	Leg segment mounting bracket		T90SEG4-1	

Upsilo


UPSILO Segmented shell

The segmentation of the shell is a complex custom-made system allowing the dissociation of the different parts of the standing shell.

- Simple and precise adjustment, using a mechanical or hydraulic cylinder
- Growth monitoring directly on the frame
- Depth, height, width and angle adjustments
- Locking of the ball joint by 3-point fixing

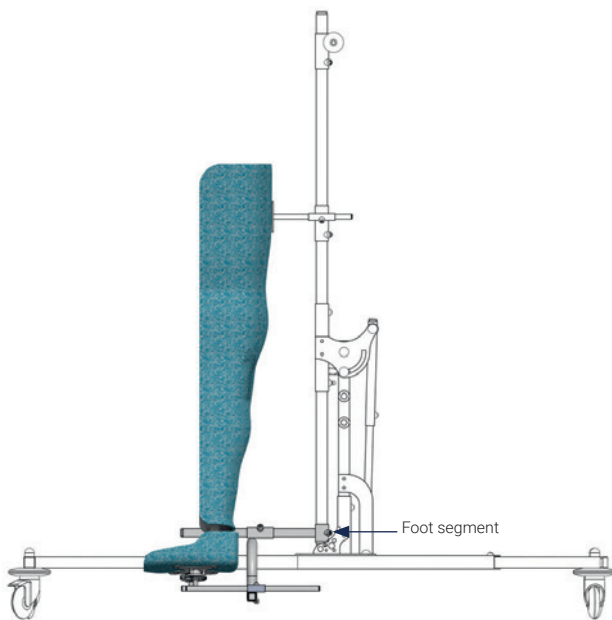


CE

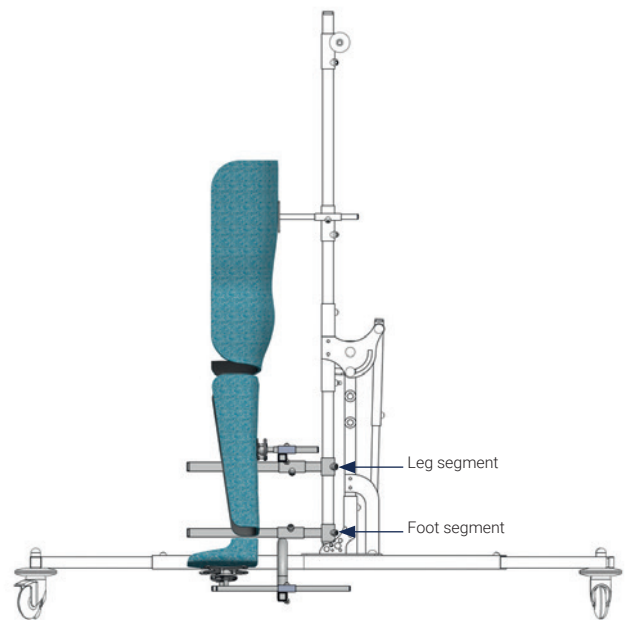
Reference	T68SEG-1	T68SEG-V1
Type	Wheeled frame for standing device with mechanical cylinder	Wheeled frame for standing device with mounted hydraulic cylinder
Frame colours		
Adjustments	Height, reclining angle (90° max), wheelbase	
Patient data	Weight limit: 50 kg / Size limit: 1.50 m / Age limit: 14 years old*	

*As a guide

Example of segmentation



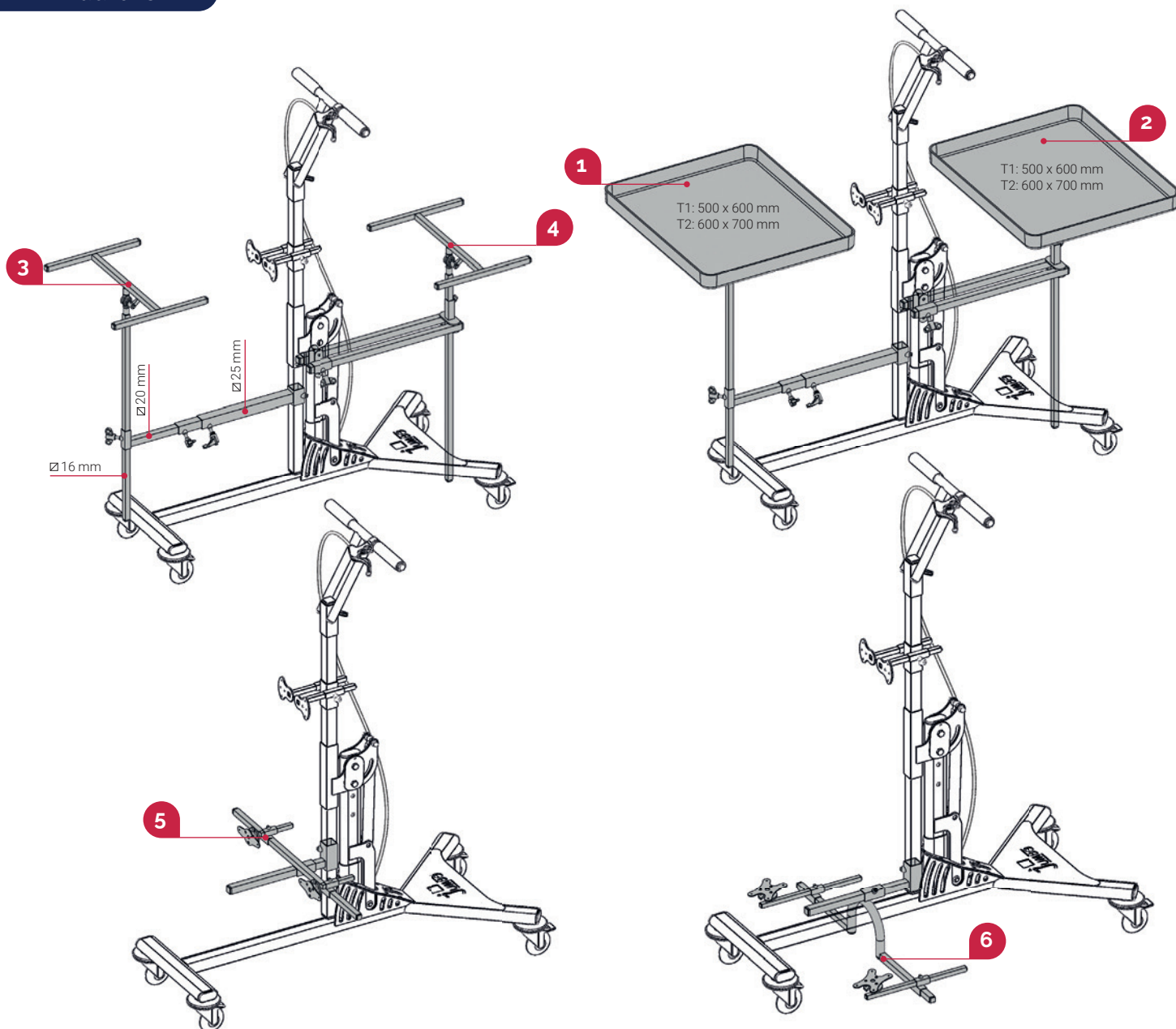
Simple segment



Double segment

SEGMENTED STANDING FRAME

Add-ons



	Types	Sizes	References
	JUMBO SEGMENTED SHELL FRAME		T64SEG-0 <i>Square tube mast</i> T64SEG-1 <i>Oval tube mast</i>
1	Dorsal tray bracket with white tray	T1	T90-V113BC1 T90-V114BC1
	Dorsal tray bracket with transparent tray	T2	T90-V113BC2 T90-V114BC2
2	Ventral tray bracket with white tray	T1	T90-V113TRC1 T90-V114TRC1
	Ventral tray bracket with transparent tray	T2	T90-V113TRC2 T90-V114TRC2
3	Dorsal tray bracket		T90-V109BC1 T90-V109RBC2
4	Ventral tray bracket		T90-V109TRC1 T90-V109RTRC2
5	Thigh segment kit		T90-V113 T90-V114
6	Foot segment kit		T90-V109 T90-V109
			T90SEG4-2 T90SEG4-3
			T90SEG3-2 T90SEG3-3



JUMBO Segmented shell

Segmentation allows the dissociation of the different parts of the standing shell whilst retaining the custom-made design.

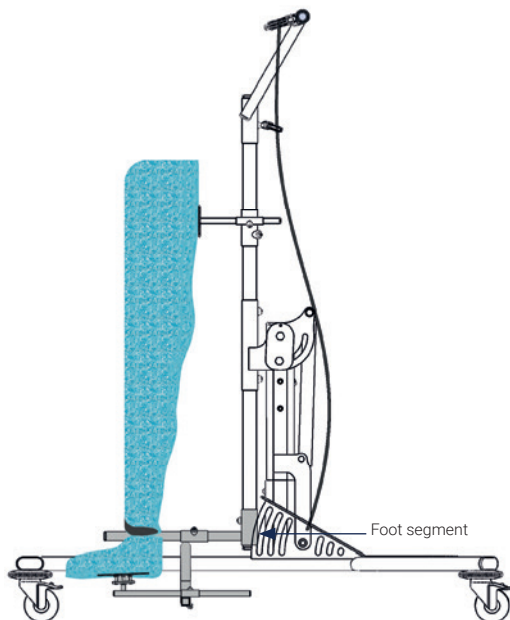
- Growth monitoring directly on the frame without using sliders
- Depth, height and width adjustment of each part of the standing shell
- A 3-point locking system that fixes the ball joint in the chosen position completely



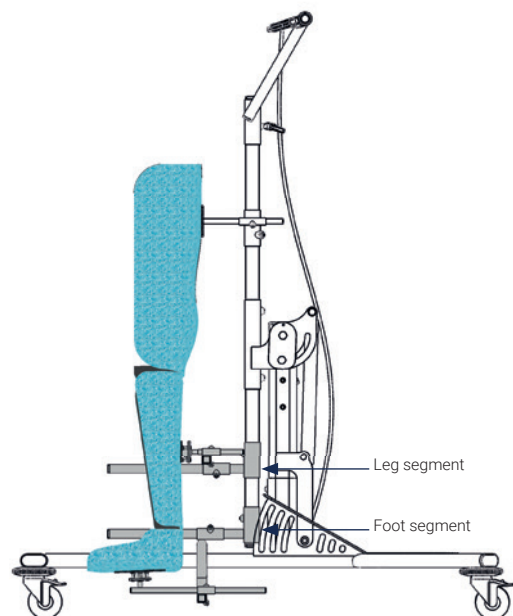
Reference	T64SEG-0	T64SEG-1
Type	Jumbo Cadet: wheeled frame for standing device	Jumbo Junior: wheeled frame for standing device
Frame colours		
Adjustments	Height, reclining angle (90° max), abduction	
Patient data	Weight limit: 40 kg / Size limit: 1.40 m Age limit: 12 years old*	Weight limit: 60 kg / Size limit: 1.60 m Age limit: young adult*

*As a guide.

Example of segmentation



Simple segment

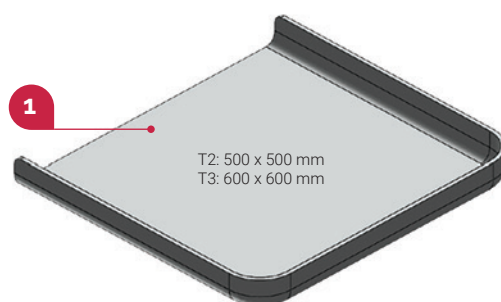
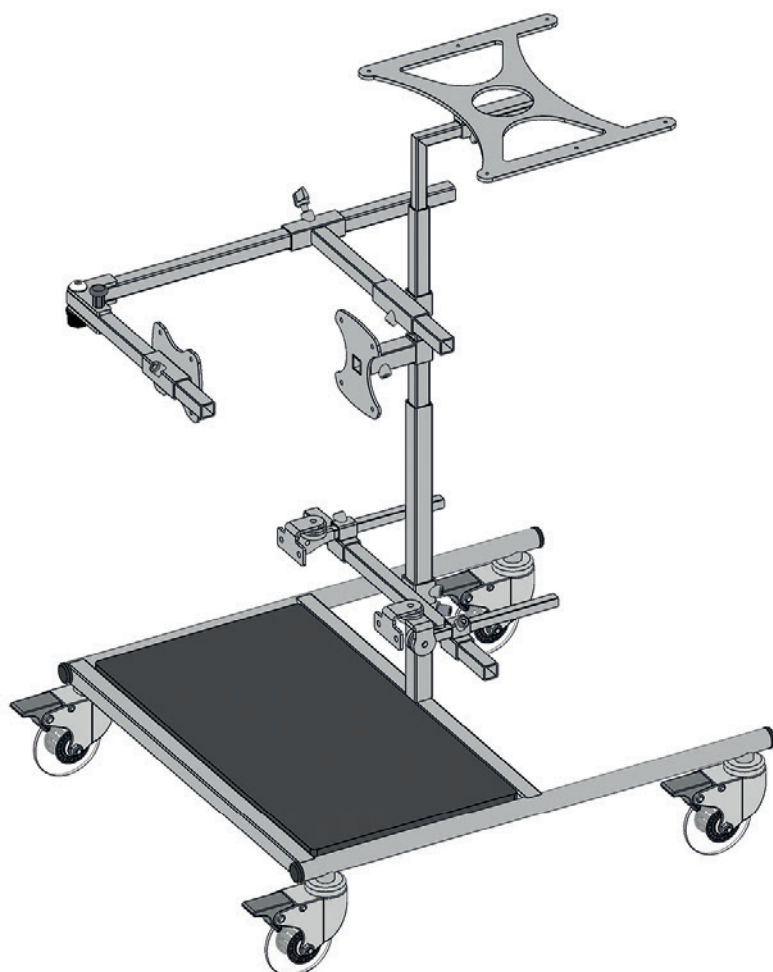


Double segment



SEGMENTED STANDING FRAME

Add-ons



	Types	Sizes	References
1	ASTRO IV frame with tray bracket		RAVASTIV-V100
	White tray	T2	RAVOCS8-16B2
		T3	RAVOCS8-16B3
	Transparent tray	T2	RAVOCS8-16TR2
		T3	RAVOCS8-16TR3

Astro IV

ASTRO IV

ASTRO IV is a modular standing base for children designed for standard or custom-made supports. It is lightweight and equipped with a single, fixed, central mast to encourage freedom of movement.

- Height and depth adjustment of the tray
- Height and depth adjustment of the leg supports
- Height and depth adjustment of the ventral support

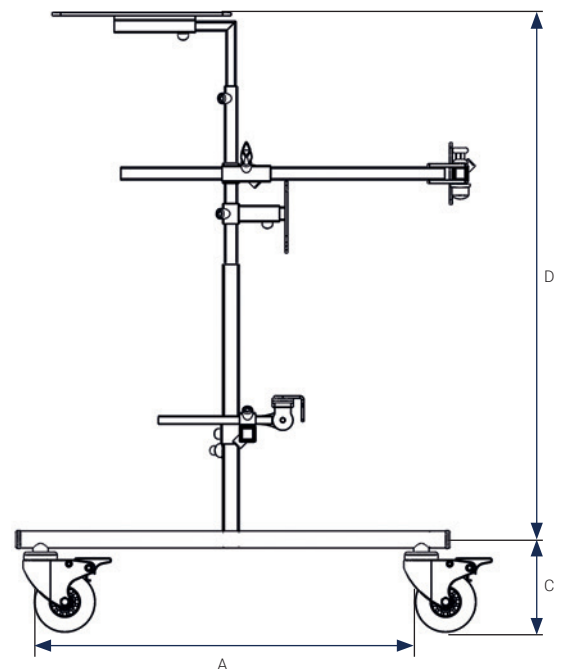
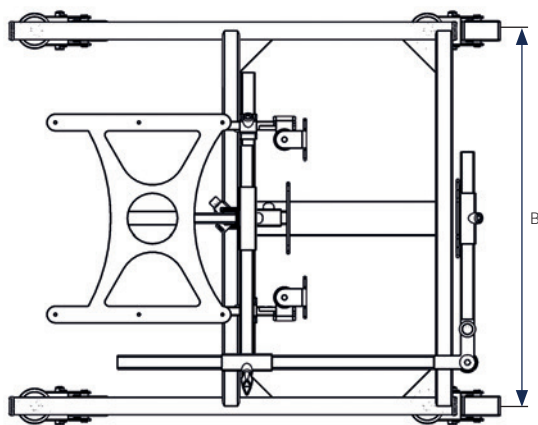


CE

Reference	RAVASTIV-V100
Type	Modular standing base, indoor usage, standing type
Frame colour	BK
Adjustments	Height and depth of modules can be adjusted
Weight	8 kg
Patient data	Weight limit: 30 kg (patient + shell) / Size limit: 1.20 m / Age limit: 8 years old*

*As a guide

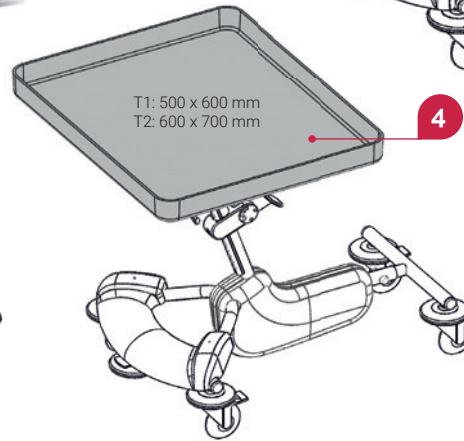
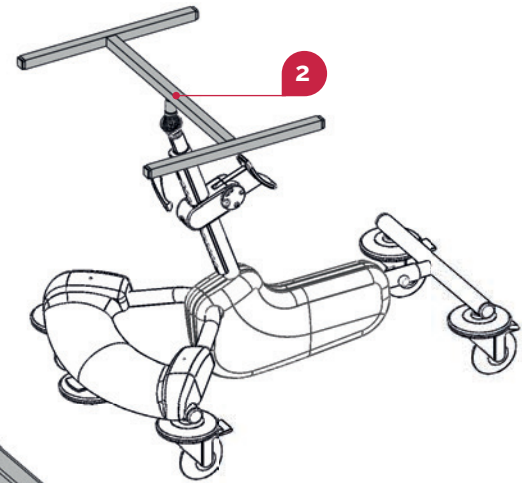
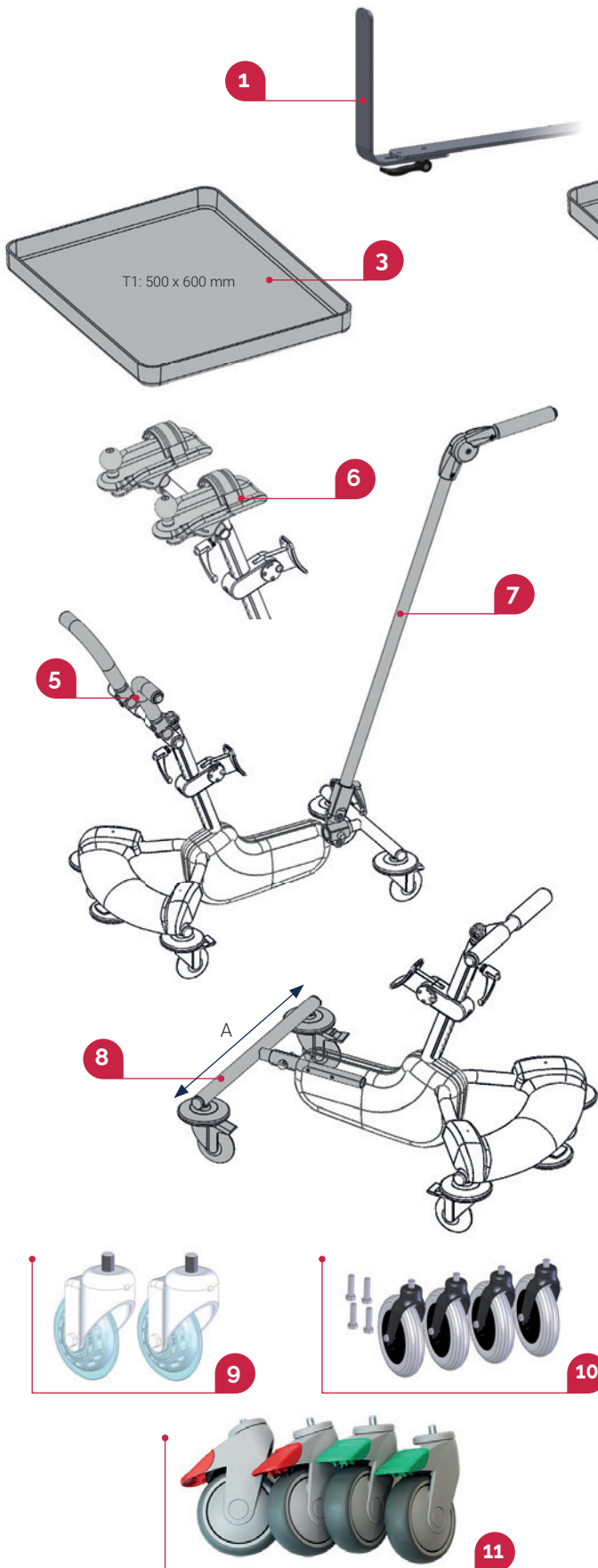
Frame dimensions



A - Wheelbase	470 mm
B - Wheelbase	450 mm
C - Height	115 mm
D - Height	485 mm to 780 mm

WALKING FRAME

Add-ons



Download the measurement sheets

Types		Colours & Sizes	References	
	MOTILO frame		Tx0K	
1	Removable device kit		T1090	
2	Tray bracket (310 X 400 mm)		T0050-1	
3	Trays	Transparent	T79TR-1	
		White	T79B-1	
		Black	T79N-1	
4	Tray bracket with white tray	T00K	T90-V112BC1	
		T10K		
		T20K	T90-V112RBC2	
		T30K		
		4		Tray bracket with transparent tray
T10K				
T20K	T90-V112RTRC2			
T30K				
5	Pair of handles		T0040-1	
6	Pair of arm brackets	T00K	T0090-K1	
		T10K		
		T20K	T0090-K2	
		T30K		
7	Direction handle		T0060	
8	Rear axle	A = 480 mm	T00K	T0080K-0
		A = 600 mm	T10K	T0080K-1
		A = 700 mm	T20K	T0080K-2
		A = 800 mm	T30K	T0080K-3
9	Non-directional wheel kit (no brake)	Ø 75 mm	T00K	T0020-1
			T10K	
		Ø 100 mm	T20K	T0020-2
			T30K	
			T00K	
10	Directional all-terrain wheel kit (no brake)	Ø 150 mm	T00K	T0070-1
			T10K	
			T20K	
			T30K	
11	Directional locking wheel kit	Ø 75 mm	T00K	T0021-1
			T10K	
		Ø 100 mm	T20K	T0021-2
T30K				



MOTILO

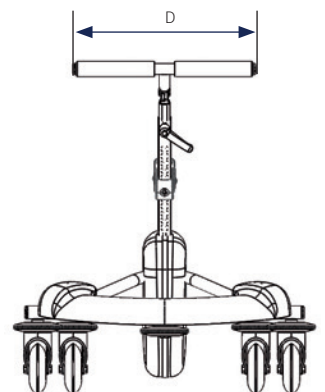
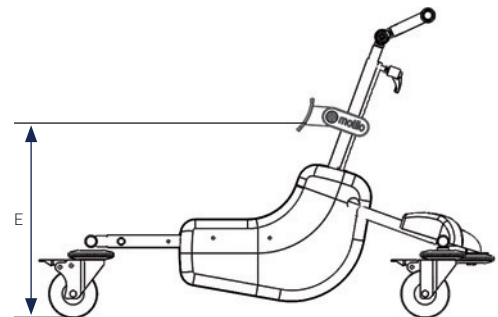
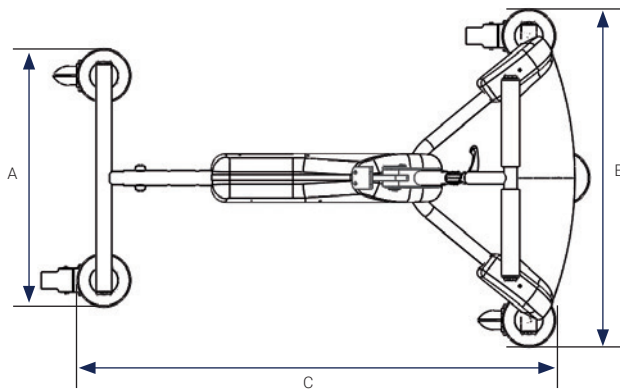
The MOTILO is a walking frame designed for children with multiple disabilities offering the possibility of walking upright thanks to a corset-saddle. It allows the child to explore their environment with complete autonomy.

- Adjustment of the height and angle of the handlebar and saddle knob
- Adjustment of the frame length
- Available in 4 sizes

Reference	TxoK						
Type	Walking frame						
Frame colours	BK	BJ	BL	GN	PK	PR	R
Casing colours	Black, yellow, red, white						
Sizes	Size 0: T0oK	Size 1: T1oK	Size 2: T2oK	Size 3: T3oK			
Dimensions	480 x 750 mm	600 x 950 mm	700 x 1120 mm	800 x 1350 mm			
Patient data	Weight limit: 15 kg Size limit: 1.00 m Age limit: 3/5 years old*	Weight limit: 20 kg Size limit: 1.20 m Age limit: 4/8 years old*	Weight limit: 35 kg Size limit: 1.40 m Age limit: 7/12 years old*	Weight limit: 50 kg Size limit: 1.60 m Age limit: young adult*			

*As a guide

Frame dimensions



	Size 0	Size 1	Size 2	Size 3
A - Rear wheelbase	370 mm	460 mm	530 mm	600 mm
B - Front wheelbase	480 mm	600 mm	700 mm	800 mm
C - Length	650/700/750 mm	850/900/950 mm	1020/1070/1120 mm	1200/1250/1350 mm
D - Handlebar width	270 mm	350 mm	450 mm	450 mm
E - Floor/Crotch	215 to 380 mm	380 to 510 mm	500 to 650 mm	550 to 800 mm



WALKING FRAME

Add-ons



Download the measurements sheet

	Types	References
	TRISKELO frame	T67K
1	Pushing handle	T6730-1
2	Saddle bracket	T6720-1



TRISKELO

The TRISKELO is a walking tricycle designed for children; it allows them to explore their environment autonomously. It provides optimum stability and safety thanks to its custom-made saddle, promoting the dissociation of the scapular and pelvic girdles.

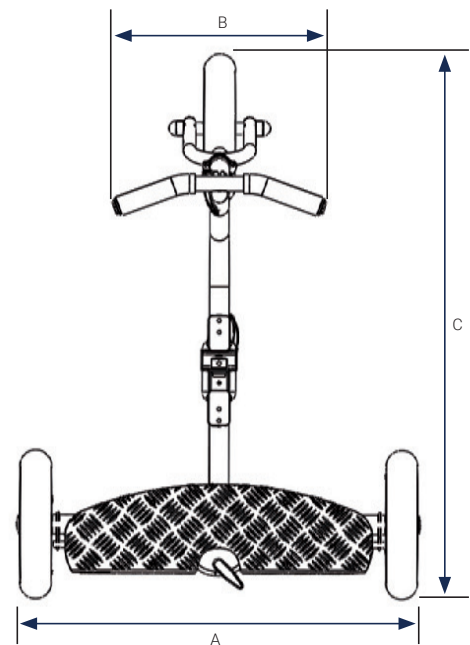
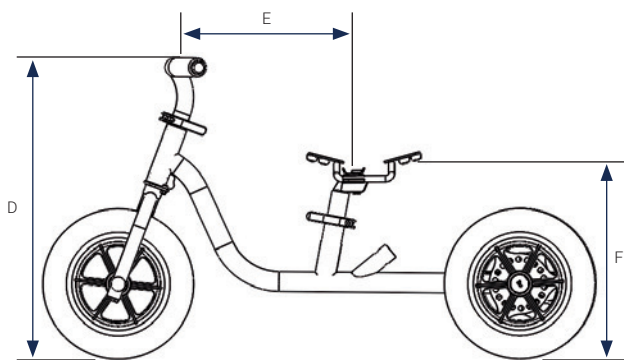
- **Foot-propelled tricycle with a custom-made corset-saddle**
- **Height and reclining angle of the seat are adjustable**
- **The turning radius can be easily altered: +/-30° or +/- 75°**



References	T67K-1	T67K-2
Type	Wheeled walking frame with custom-made corset-saddle	
Frame colour		
Adjustments	Height adjustment of the handlebar, height and reclining angle adjustments of the saddle, adjustment of the turning radius	
Patient data	Weight limit: 20 kg / Size limit: 1 m Age limit: 2 to 5 years old*	Weight limit: 30 kg / Size limit: 1.2 m Age limit: 4 to 8 years old*

*As a guide

Frame dimensions



	T67K-1	T67K-2
A - Rear wheelbase	650 mm	
B - Handlebar width	350 mm	
C - Length	900 mm	1075 mm
D - Handlebar height	470 to 590 mm	560 to 680 mm
E - Trunk/handlebar distance	250 to 320 mm	310 to 380 mm
F - Seat height	290 to 500 mm	390 to 600 mm





CONTENTS

Accessories

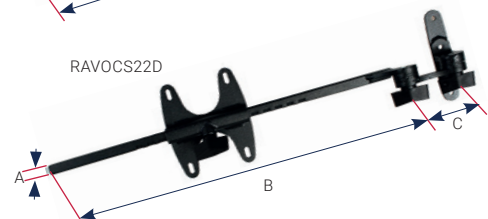
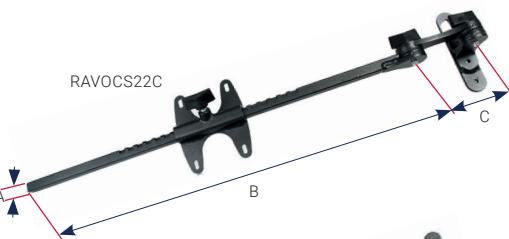
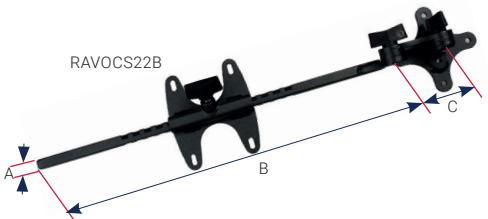
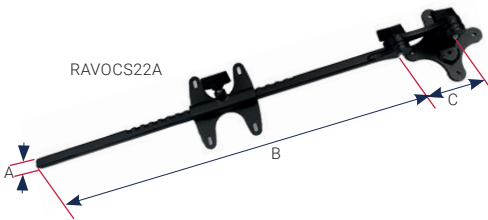
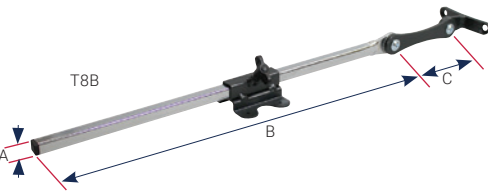
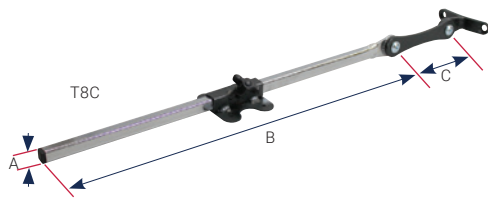
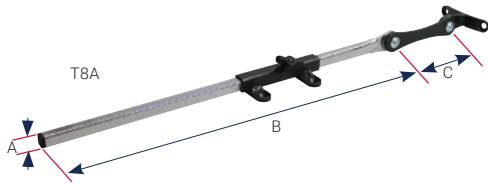
Headrests.....	p. 84
Abduction systems.....	p. 87
Tray brackets.....	p. 88
Trays.....	p. 89
Slides.....	p. 90
Leg segments.....	p. 94
Footrest.....	p. 96
Accessories.....	p. 98
Spare parts.....	p. 100



HEADRESTS

Adjustable in 3 planes

- Height-, depth- and reclining angle-adjustable



Single slide headrests

Packaged individually.

References	T8A-0	T8A-1	T8A-2
Dimensions	A = 12 x 12 mm B = 420 mm C = 51 mm	A = 12 x 12 mm B = 420 mm C = 90 mm	A = 16 x 16 mm B = 420 mm C = 90 mm
Finish	Chrome finish matt black painted notched slides and plates		

References	T8C-00	T8C-0	T8C-1	T8C-2
Dimensions	A = 8 x 8 mm B = 215 mm C = 50 mm	A = 12 x 12 mm B = 420 mm C = 51 mm	A = 12 x 12 mm B = 420 mm C = 90 mm	A = 16 x 16 mm B = 420 mm C = 90 mm
Round edging strips	Al			
Finish	Chrome finish matt black painted notched slides and plates			

Offset single slide headrests

Packaged individually.

References	T8B-0	T8B-1	T8B-2
Dimensions	A = 12 x 12 mm B = 420 mm C = 51 mm	A = 12 x 12 mm B = 420 mm C = 90 mm	A = 16 x 16 mm B = 420 mm C = 90 mm
Finish	Matt chrome finish - Matt black painted notched slides and plates		

Star-shaped notched headrests

Packaged individually.

Reference	RAVOCS22A2
Dimensions	A = 10 mm B = 413 mm C = 60 mm
Finish	Matt black painted steel

References	RAVOCS22B1	RAVOCS22B2
Dimensions	A = 8 mm B = 306 mm C = 40 mm	A = 10 mm B = 410 mm C = 75 mm
Finish	Matt black painted steel	

Straight notched headrests

Packaged individually.

Reference	RAVOCS22C2
Dimensions	A = 10 mm B = 413 mm C = 60 mm
Finish	Matt black painted steel

References	RAVOCS22D1	RAVOCS22D2
Dimensions	A = 8 mm B = 306 mm C = 40 mm	A = 10 mm B = 410 mm C = 75 mm
Finish	Matt black painted steel	

HEADRESTS

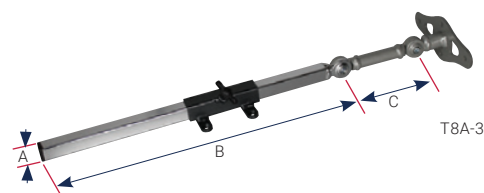
Adjustable in 3 planes

- Height- depth- and reclining angle-adjustable

Reinforced single slide headrest

Packaged individually.

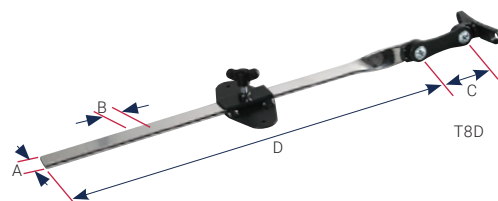
Reference	T8A-3
Dimensions	A = 20 x 20 mm B = 420 mm C = 115 mm
Finish	Chrome finish matt black painted notched slide and plate



Flat slide headrests

Packaged individually.

References	T8D-0	T8D-1	T8D-2	T8D-3
Dimensions	A = 18 mm B = 4 mm C = 51 mm D = 390 mm	A = 20 mm B = 5 mm C = 51 mm D = 390 mm	A = 18 mm B = 4 mm C = 51 mm D = 390 mm	A = 20 mm B = 5 mm C = 51 mm D = 390 mm
Round edging strips	Al		Steel	
Finish	Raw Al		Chrome finish matt black painted notched slides and plates	

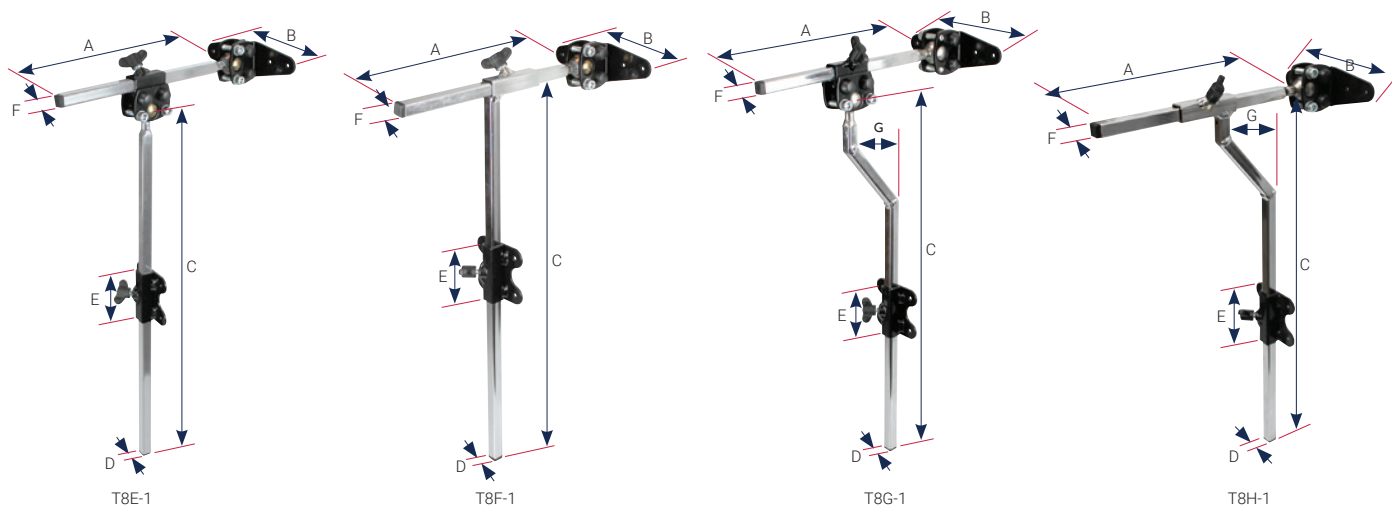


Ball joint

Packaged individually.

References	T8E-1	T8F-1	T8G-1	T8H-1
Descriptions	Double ball joint headrest Height, depth- and double reclining angle-adjustable		Offset double ball joint headrest Height, depth- and double reclining angle-adjustable	
Dimensions	A = 225 mm B = 110 mm C = 425 mm E = 60 mm	A = 225 mm B = 110 mm C = 400 mm E = 60 mm	A = 225 mm B = 110 mm C = 425 mm E = 60 mm G = 55 mm	
Cross-sections	D = \varnothing 12 mm Thickness 1.5 mm / F = \varnothing 12 mm Thickness 1.5 mm			
Finish	Chrome finish matt black painted			

- Ball joint headrests are accessories for shells



HEADRESTS

Detachable

- Height-, depth- and reclining angle-adjustable



Packaged individually.

Slide

References	T8J-1	T8J-2	T8J-3
Dimensions	A = \varnothing 12 mm B = 410 mm C = 250 mm	A = \varnothing 16 mm B = 460 mm C = 300 mm	A = \varnothing 20 mm B = 490 mm C = 300 mm
Finish	Matt black painted		

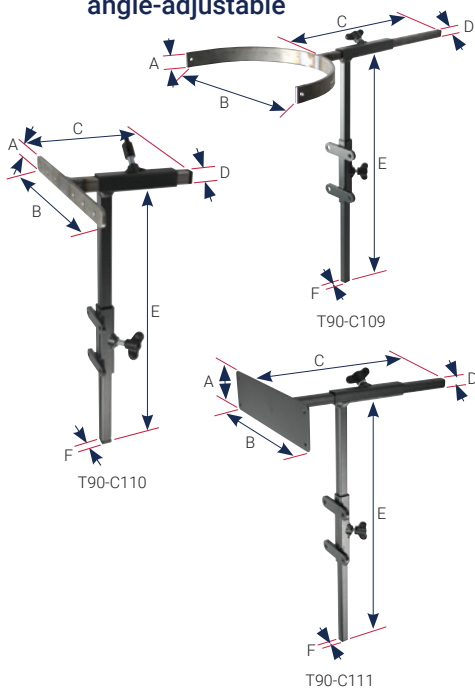
Ball joint

Packaged individually.

References	T8K-1	T8K-2
Dimensions	A = \varnothing 12 mm B = 410 mm C = 250 mm	A = \varnothing 16 mm B = 460 mm C = 300 mm
Finish	Matt black painted	

Adjustable in 2 planes

- Height- and reclining angle-adjustable



Rounded neck rest

Packaged individually.

Reference	T90-C109	
Dimensions	A = 20 mm Thickness 4 mm B = 250 mm C = 250 mm D = \varnothing 12 mm	E = 350 mm F = \varnothing 12 mm Radius = 125 mm
Finish	Matt black painted	

Straight

Packaged individually.

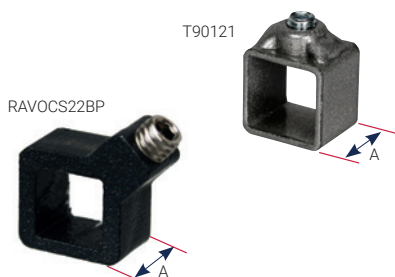
Reference	T90-C110	
Dimensions	A = 20 mm Thickness 4 mm B = 250 mm C = 160 mm	D = 16 x 16 mm E = 350 mm F = \varnothing 16 mm
Finish	Matt black painted	

Widened straight

Packaged individually.

References	T90-C111-1	T90-C111-2
Dimensions	A = 50 mm B = 200 mm C = 250 mm D = 12 x 12 mm E = 350 mm F = \varnothing 12 mm	A = 50 mm B = 200 mm C = 250 mm D = 16 x 16 mm E = 350 mm F = \varnothing 16 mm
Finish	Matt black painted	

Stops



Packaged individually.

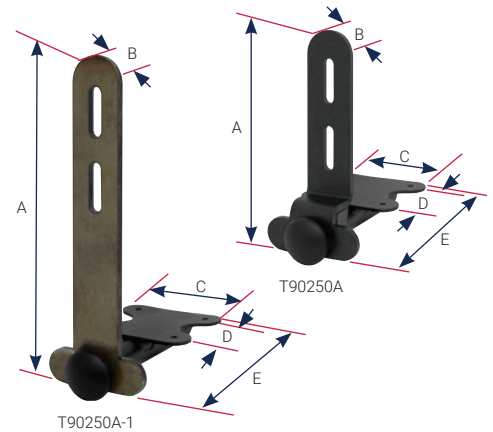
References	T90121-16	T90121-20	T90121-25
Dimensions	A = 15 mm	A = 20 mm	A = 20 mm
Finish	Matt black painted		
Compatibility	\varnothing 12 x 12 mm	\varnothing 16 x 16 mm	\varnothing 20 x 20 mm

References	RAVOCS22BP	RAVOCS22BPBIS
Dimensions	A = 10 mm	A = 10 mm
Material	Painted steel	
Compatibility	\varnothing 10 x 10 mm	\varnothing 8 x 8 mm

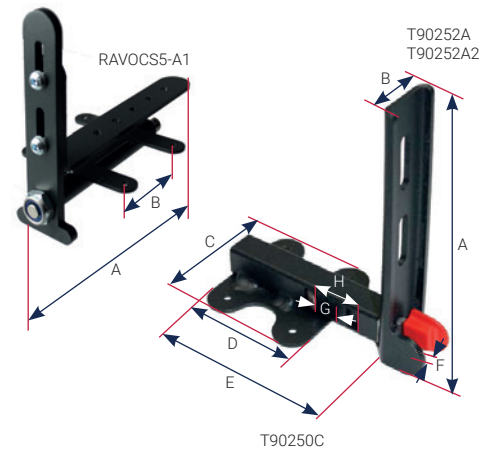
Push-button mechanics only

Packaged individually.

References	T90250A	T90250A-1	T90250A-1R
Dimensions	A = 100 mm B = 30 mm C = 65 mm D = 60 mm E = 100 mm	A = 180 mm B = 30 mm C = 65 mm D = 60 mm E = 100 mm	A = 180 mm B = 30 mm C = 65 mm D = 60 mm E = 100 mm
Finish	Matt black painted		



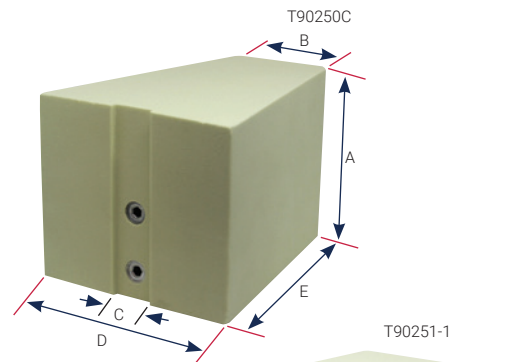
Reference	RAVOCS5-A1
Dimensions	A = 150 mm B = 55 mm
Material	Matt black painted steel



Notched mechanics only

Packaged individually.

Reference	T90252A	T90252A2
Dimensions	A = 130 mm B = 30 mm C = 65 mm D = 60 mm E = 88 mm / 100 mm / 112 mm F = 3 mm G = 12 mm H = 24 mm	A = 180 mm B = 30 mm C = 90 mm D = 90 mm E = 185 / 205 / 225 mm F = 4 mm G = 20 mm H = 40 mm
Finish	Matt black painted	



PU block only

Packaged individually.

Reference	T90250C
Dimensions	A = 130 mm B = 80 mm C = 30 mm D = 150 mm E = 200 mm
Material	PU block

Abduction block

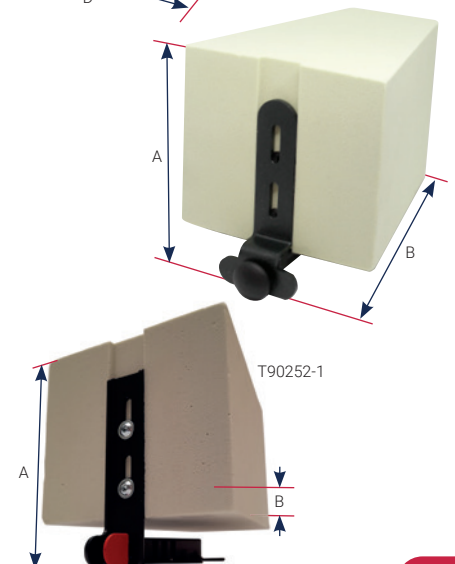
Packaged individually.

Reference	T90251-1
Dimensions	A = 180 mm B = 210 mm
Material	PU block

Notched abduction block

Packaged individually.

Reference	T90252-1
Dimensions	A = 170 B = 198 / 210 / 222 mm
Material and finish	Matt black painted PU block



ACCESSORIES

Tray brackets



Child only bracket

Packaged individually.

Reference	T75E
Dimensions	A = 270 mm B = 216 mm C = 166 mm D = \varnothing 12 x 12 mm
Finish	Chrome finish matt black painted bracket
Compatibility	Seated position frames: Hisséo

Adolescent/adult only brackets

Packaged individually.

References	T75	T75R
Dimensions	A = 680 mm B = \varnothing 16 mm C = 300 mm D = 400 mm	A = 680 mm B = \varnothing 16 mm C = 450 mm D = 470 mm
Finish	Chrome finish matt black painted	

Tray brackets only with footrest inlet

Packaged individually.

References	RAVOCS-C100	RAVOCS-C101
Dimensions	A = 16 mm B = 323 mm C = \varnothing 12 mm D = \varnothing 16 mm E = 220 mm F = 250 mm	A = 20 mm B = 325 mm C = \varnothing 16 mm D = \varnothing 20 mm E = 280 mm F = 350 mm
Finish	Matt black painted steel	

Front wheel tray brackets

Packaged individually.

References	RAVOCS-C102	RAVOCS-C103
Dimensions	A = 16 mm B = 323 mm C = \varnothing 16 mm D = \varnothing 16 mm E = 220 mm F = 250 mm	A = 16 mm B = 343 mm C = \varnothing 16 mm D = \varnothing 20 mm E = 280 mm F = 350 mm
Finish	Matt black painted steel	

Tray brackets for tray

Packaged individually.

References	RAVOCS-C111	RAVOCS-C112
Dimensions	A = 370 mm B = \varnothing 16 mm C = \varnothing 16 mm D = 220 mm E = 250 mm	A = 420 mm B = \varnothing 20 mm C = \varnothing 20 mm D = 280 mm E = 350 mm
Finish	Matt black painted steel	

White

Packaged individually.

References	T79B-0	T79B-1	T79B-2	RAVOCS8-16B1	RAVOCS8-16B2	RAVOCS8-16B3
Descriptions	Rounded corners	Square corners				
Dimensions	A = 400 mm B = 500 mm C = 40 mm D = 4 mm	A = 500 mm B = 600 mm C = 50 mm D = 5 mm	A = 600 mm B = 700 mm C = 50 mm D = 5 mm	A = 430 mm B = 400 mm C = 40 mm D = 6 mm	A = 500 mm B = 500 mm C = 45 mm D = 6 mm	A = 600 mm B = 600 mm C = 45 mm D = 6 mm
Material	White PVC					

Transparent

Packaged individually.

References	T79TR-1	T79TR-2	RAVOCS8-16TR2	RAVOCS8-16TR3
Dimensions	A = 500 mm B = 600 mm C = 50 mm D = 5 mm	A = 600 mm B = 700 mm C = 50 mm D = 5 mm	A = 500 mm B = 500 mm C = 45 mm D = 6 mm	A = 600 mm B = 600 mm C = 45 mm D = 6 mm
Colour	Transparent			
Material	PETG			

Black

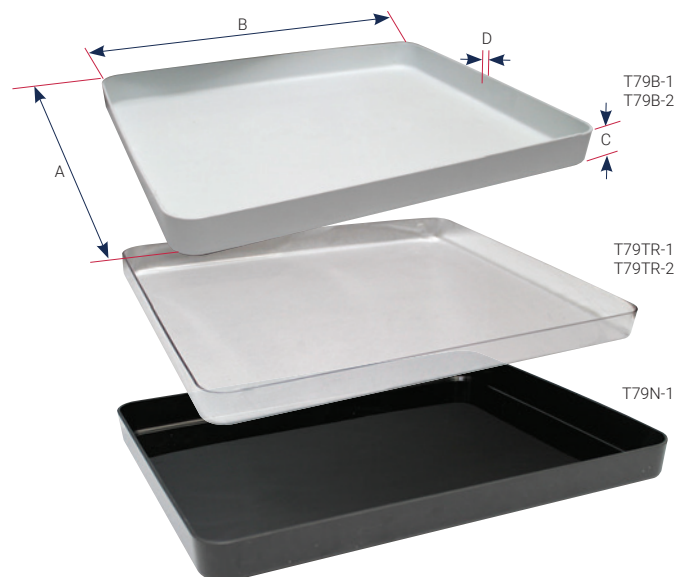
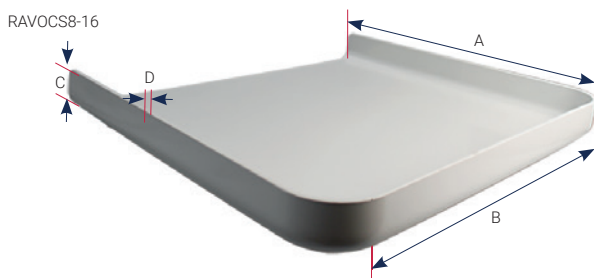
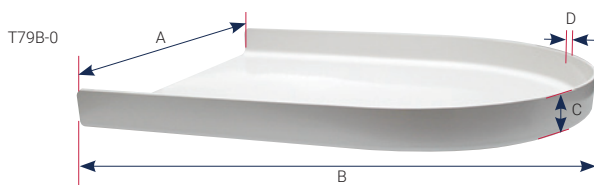
Packaged individually.

Reference	T79N-1
Dimensions	A = 500 mm B = 600 mm C = 50 mm D = 5 mm
Material	Black PVC

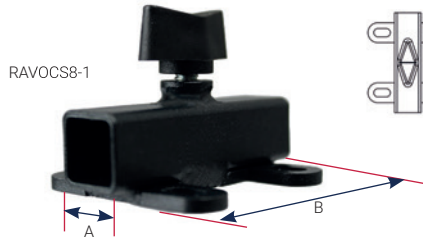
Tray edge-band

Packaged individually.

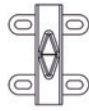
Reference	X21-N3
Finish	Black PVC
Packaging	by the metre (50 m roll)



Single



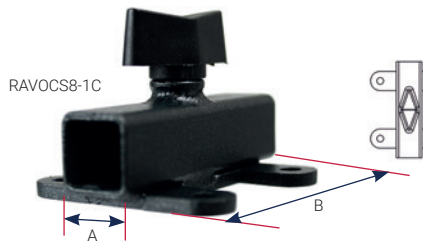
RAVOCS8-1



Slotted hole flat clamping

Packaged individually.

References	RAVOCS8-1-16	RAVOCS8-1-20
Cross-section	A = \varnothing 16 mm	A = 20 mm
Dimension	B = 60 mm	B = 80 mm
Material	Matt black painted steel	



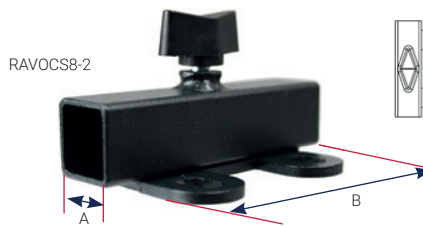
RAVOCS8-1C



Smooth hole flat clamping

Packaged individually.

References	RAVOCS8-1C-16	RAVOCS8-1C-20
Cross-section	A = \varnothing 16 mm	A = \varnothing 20 mm
Dimension	B = 60 mm	B = 80 mm
Material	Matt black painted steel	



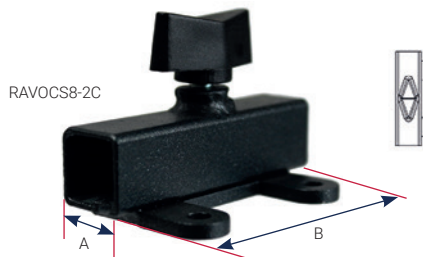
RAVOCS8-2



Slotted hole asymmetric flat clamping

Packaged individually.

References	RAVOCS8-2-16	RAVOCS8-2-20
Cross-section	A = \varnothing 16 mm	A = \varnothing 20 mm
Dimension	B = 60 mm	B = 80 mm
Material	Matt black painted steel	



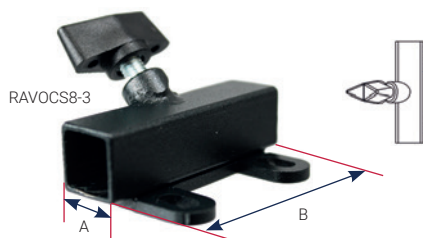
RAVOCS8-2C



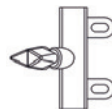
Smooth hole asymmetric flat clamping

Packaged individually.

References	RAVOCS8-2C-16	RAVOCS8-2C-20
Cross-section	A = \varnothing 16 mm	A = \varnothing 20 mm
Dimension	B = 60 mm	B = 80 mm
Material	Matt black painted steel	



RAVOCS8-3



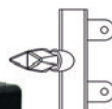
Slotted hole asymmetric angle clamping

Packaged individually.

References	RAVOCS8-3-16	RAVOCS8-3-20
Cross-section	A = \varnothing 16 mm	A = \varnothing 20 mm
Dimension	B = 60 mm	B = 80 mm
Material	Matt black painted steel	



RAVOCS8-3C



Smooth hole asymmetric angle clamping

Packaged individually.

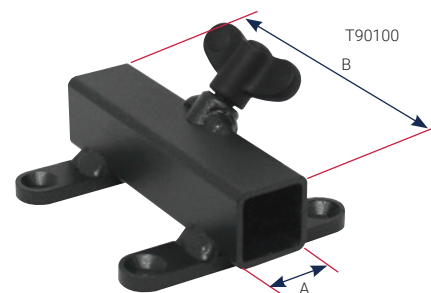
References	RAVOCS8-3C-16	RAVOCS8-3C-20
Cross-section	A = \varnothing 16 mm	A = \varnothing 20 mm
Dimension	B = 60 mm	B = 80 mm
Material	Matt black painted steel	

Single

Angle clamping

Packaged individually.

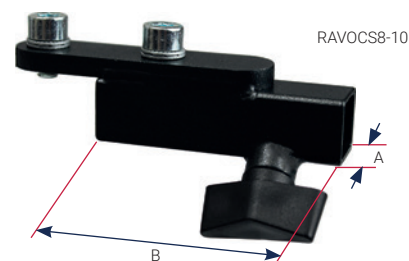
References	T90100-16	T90100-20	T90100-25
Dimension	A = \varnothing 16 mm B = 100 mm	A = \varnothing 20 mm B = 100 mm	A = \varnothing 25 mm B = 100 mm
Compatibility	Tube \varnothing 12 mm	Tube \varnothing 16 mm	Tube \varnothing 20 mm
Finish	Matt black painted		



Mounting

Packaged individually.

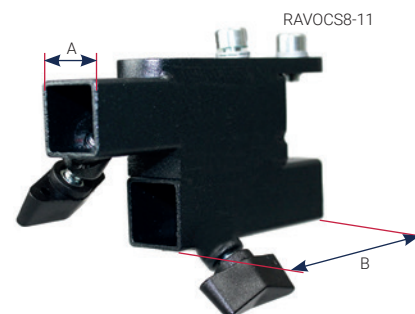
Reference	RAVOCS8-10	
Cross-section	A = \varnothing 16 mm	A = \varnothing 20 mm
Dimension	B = 60 mm	B = 80 mm
Material	Matt black painted steel	
To order	Indicate the reference, side and cross-section - E.g.: RAVOCS8-10D-16	



Double mounting

Packaged individually.

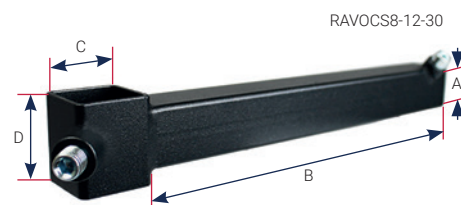
References	RAVOCS8-11-16	RAVOCS8-11-20
Cross-section	A = \varnothing 16 mm	A = \varnothing 20 mm
Dimension	B = 60 mm	B = 80 mm
Material	Matt black painted steel	



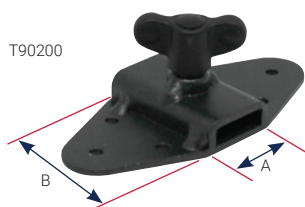
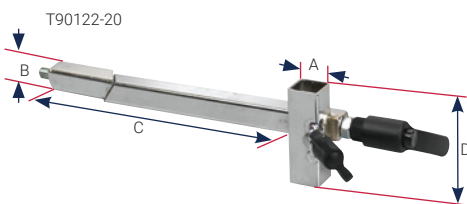
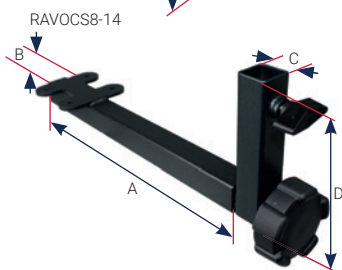
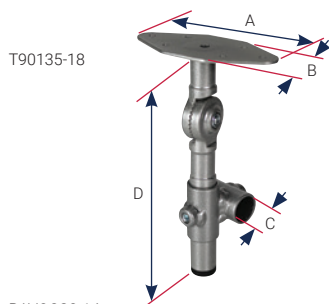
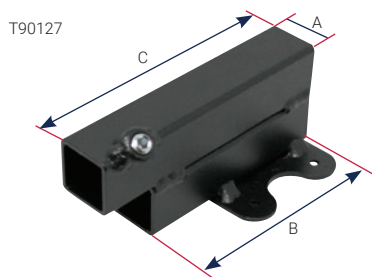
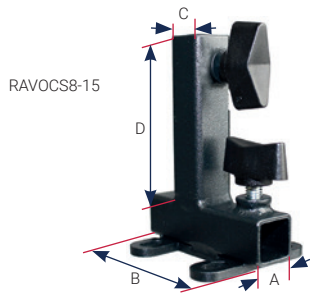
Straight

Packaged individually.

Reference	RAVOCS8-12-30
Dimensions	A = \varnothing 25 mm B = 200 mm C = 30 mm D = 35 mm
Material	Matt black painted steel



SLIDES



"T" slides

Packaged individually.

References	RAVOCS8-15-16	RAVOCS8-15-20
Cross-section	A = \varnothing 16 mm	A = \varnothing 20 mm
Dimensions	B = 60 mm	B = 80 mm
	C = 16 mm	C = 20 mm
	D = 60 mm	D = 80 mm
Material and finish	Matt black painted steel	

Double inlets

Packaged individually.

References	T90127-16	190127-20	190127-25
Dimensions	A = \varnothing 16 mm	A = \varnothing 20 mm	A = \varnothing 25 mm
	B = 95 mm	B = 95 mm	B = 95 mm
	C = 120 mm	C = 120 mm	C = 120 mm
Compatibility	Tube \varnothing 12 mm	Tube \varnothing 16 mm	Tube \varnothing 20 mm
Finish	Black painted		

Hinged slide

Packaged individually.

Reference	T90135-18
Type	Base accessory
Dimensions	A = 102 mm
	B = 50 mm
	C = \varnothing 22 Thickness 1.5 (compatible with 18 mm tube)
Material and finish	Matt black painted steel

Eccentric slides

Packaged individually.

References	RAVOCS8-14-20	RAVOCS8-14C-20
Dimensions	A = 230 mm	A = 150 mm
	B = \varnothing 20 Thickness 1.5	B = \varnothing 20 Thickness 1.5
	C = \varnothing 20 thick 1.5	C = \varnothing 20 thick 1.5
	D = 110 mm	D = 90 mm
Material and finish	Matt black painted steel	

Universal slide

Packaged individually.

Reference	T90122-20
Dimensions	A = \varnothing 20 mm Thickness 1.5
	B = \varnothing 16 x 16 mm Thickness 1.5
	C = 185 mm
	D = 60 mm
Finish	Chrome finish
Compatibility	Tube \varnothing 16 mm - Seated position frame: Plimo ² and Echo

Flat slides

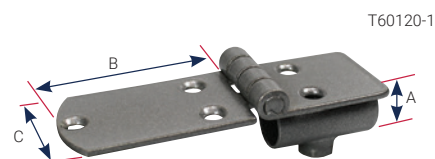
Packaged individually.

References	T90200-18	T90200-20
Dimensions	A = 18 x 4 mm	A = 20 x 5 mm
	B = 41 mm	B = 50 mm
Compatibility	18 x 4 mm plate	20 x 5 mm plate
Finish	Matt black painted	

Parallel hinge slide

Packaged individually.

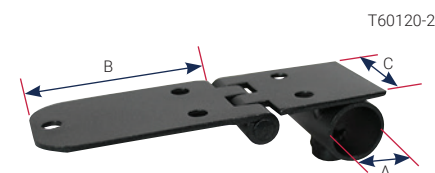
Reference	T60120-1
Dimensions	A = \varnothing 22 mm Thickness 1.5 B = 70 mm C = 40 mm
Finish	Matt black painted
Compatibility	Standing frames: Echo and Vertilo ²



Perpendicular hinge slide

Packaged individually.

Reference	T60120-2
Dimensions	A = \varnothing 22 mm Thickness 1.5 B = 70 mm C = 40 mm
Finish	Matt black painted
Compatibility	Standing frames: Echo and Vertilo ²



Square base plates

Packaged individually.

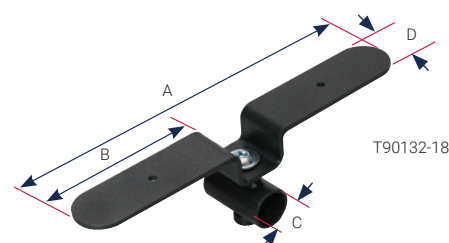
References	RAVOCS8-17-20	RAVOCS8-17-25
Cross-section	A = \varnothing 20 mm Thickness 1.5	A = \varnothing 25 mm Thickness 1.5
Dimensions	B = 75 mm C = 50 mm	B = 90 mm C = 80 mm
Material and finish	Black painted steel	



Pivoting slide

Packaged individually.

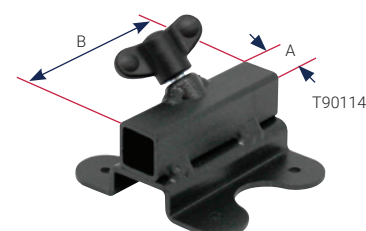
Reference	T90132-18
Dimensions	A = 200 mm B = 88 mm C = \varnothing 22 Thickness 1.5 mm (compatible with \varnothing 18 mm tube) D = 30 mm
Finish	Matt black painted



Offset, wraparound slides

Packaged individually.

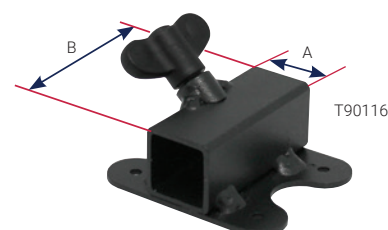
References	T90114-16	T90114-20
Dimensions	A = \varnothing 16 mm B = 60 mm	A = \varnothing 20 mm B = 60 mm
Compatibility	Tube \varnothing 12 mm	Tube \varnothing 16 mm
Finish	Matt black painted	



Wraparound slides

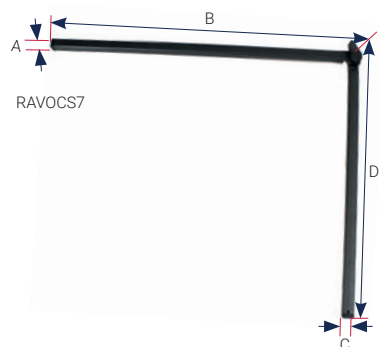
Packaged individually.

References	T90116-12	T90116-16	T90116-20	T90116-25
Dimensions	A = \varnothing 12 mm B = 60 mm	A = \varnothing 16 mm B = 60 mm	A = \varnothing 20 mm B = 60 mm	A = \varnothing 25 mm B = 60 mm
Compatibility	Tube \varnothing 8 mm	Tube \varnothing 12 mm	Tube \varnothing 16 mm	Tube \varnothing 20 mm
Finish	Matt black painted			



LEG SEGMENT

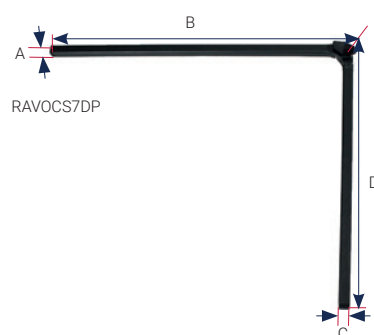
Hinged



Straight line

Packaged individually.

References	RAVOCS7-12	RAVOCS7-16	RAVOCS7-20
Cross-section	A = \varnothing 12 mm	A = \varnothing 16 mm	A = \varnothing 20 mm
Dimensions	B = 320 mm	B = 320 mm	B = 320 mm
	C = 12 mm	C = 16 mm	C = 20 mm
	D = 370 mm	D = 420 mm	D = 420 mm
Material and finish	Matt black painted steel		



Offset

Packaged individually.

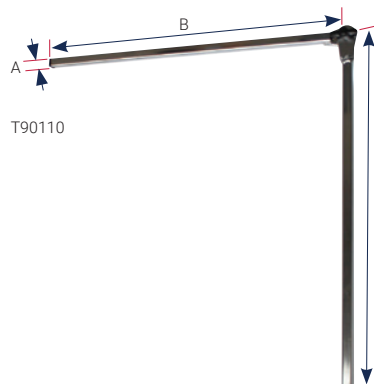
Reference	RAVOCS7DP	
Cross-section	A = \varnothing 12 mm	A = \varnothing 16 mm
Dimensions	B = 200 mm	B = 200 mm
	C = 12 mm	C = 16 mm
	D = 300 mm	D = 400 mm
Material and finish	Matt black painted steel	
Individual	packaging, available right or left	
To order	Indicate the reference, side and cross-section - E.g.: RAVOCS7DPD-12	



Asymmetric

Packaged individually.

References	RAVOCS7AS-1216	RAVOCS7AS-1620
Cross-sections	A = \varnothing 12 mm C = 16 mm	A = \varnothing 16 mm C = 20 mm
Dimensions	B = 320 mm D = 320 mm	
Material and finish	Matt black painted steel	



Articulating

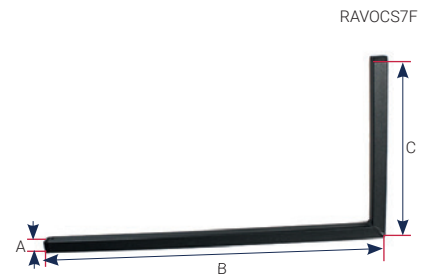
Packaged individually.

References	T90110-08	T90110-12	T90110-16
Dimensions	A = \varnothing 8 mm	A = \varnothing 12 mm	A = \varnothing 16 mm
	B = 300 mm	B = 384 mm	B = 384 mm
	C = 200 mm	C = 384 mm	C = 384 mm
Compatibility	Tube \varnothing 12 mm	Tube \varnothing 16 mm	Tube \varnothing 20 mm
Finish	Chrome finish		

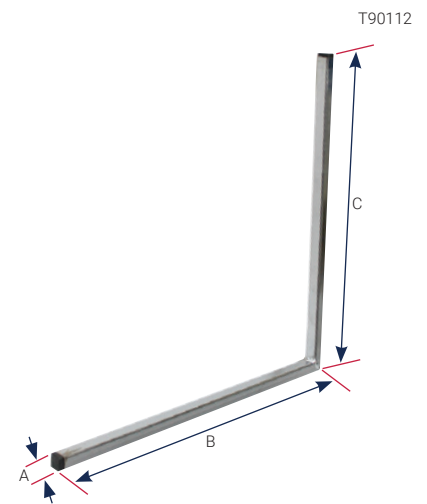
Angle brackets

Packaged individually.

References	RAVOCS7F-12	RAVOCS7F-16	RAVOCS7F-20
Cross-section	A = \varnothing 12 mm	A = \varnothing 16 mm	A = \varnothing 20 mm
Dimensions	B = 200 mm C = 300 mm	B = 200 mm C = 400 mm	B = 300 mm C = 400 mm
Material and finish	Matt black painted steel		

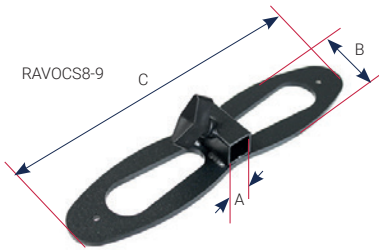


References	T90112-08	T90112-12	T90112-16
Dimensions	A = \varnothing 8 mm B = 200 mm C = 300 mm	A = \varnothing 12 mm B = 400 mm C = 400 mm	A = \varnothing 16 mm B = 400 mm C = 400 mm
Compatibility	Tube \varnothing 12 mm	Tube \varnothing 16 mm	Tube \varnothing 20 mm
Finish	Chrome finish		



FOOTREST

Central



Foot paddles

Packaged individually.

References	RAVOCS8-g-16	RAVOCS8-g-20	RAVOCS8-g-25
Cross-section	A = \varnothing 16 mm	A = \varnothing 20 mm	A = \varnothing 25 mm
Dimensions	B = 35 mm C = 190 mm	B = 35 mm C = 220 mm	
Finish	Matt black painted steel		
Packaging	Paddle only		

Fixed

Packaged individually.

Reference	T90-C102	
Dimensions	A = 325 mm B = 200 mm C = 20 x 20 mm D = 16 x 16 mm	E = 210 mm F = 130 mm G = 60 mm H = 20 x 20 mm
Finish	Matt black painted pallet - Chrome finish angle bracket	
Compatibility	Seated position frames: Plimo ² and Echo	

Articulating

Packaged individually.

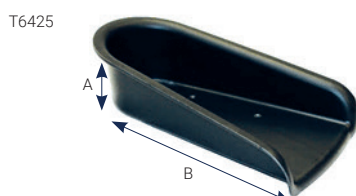
Reference	T90-C103	
Dimensions	A = 300 mm B = 200 mm C = 20 x 20 mm D = 16 x 16 mm	E = 210 mm F = 130 mm G = 60 mm H = 20 x 20 mm
Finish	Matt black painted pallet - Chrome finish angle bracket	
Compatibility	Seated position frames: Plimo ² and Echo	

For tray

Packaged individually.

References	T90-C104	T90-C106
Descriptions	Fixed	Articulating
Dimensions	A = 325 mm B = 200 mm C = 20 x 20 mm D = 16 x 16 mm E = 210 mm F = 130 mm G = 60 mm H = 20 x 20 mm	
Finish	Matt black painted pallet - Chrome finish angle brackets	

Foot rests



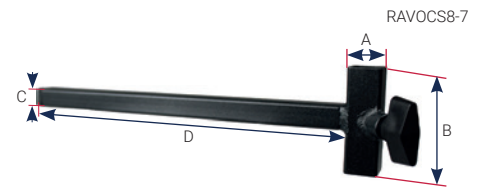
Packaged individually.

References	T6425-1	T6425-2	T6425-3
Dimensions	A = 55 mm B = 160 mm	A = 65 mm B = 190 mm	A = 75 mm B = 240 mm
Material	Black polypropylene		

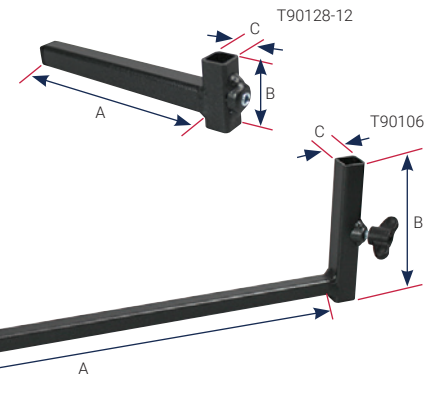
Footrest

Packaged individually.

References	RAVOCS8-7-16	RAVOCS8-7-20
Cross-section	A = 16 mm	A = 20 mm
Dimensions	B = 50 mm	B = 50 mm
	C = 12 mm	C = 16 mm
	D = 200 mm	D = 220 mm
Material	Matt black painted steel	



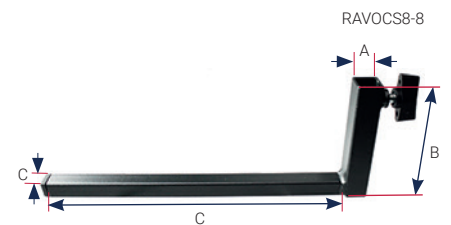
References	T90128-12	T90106-16	T90106-20
Dimensions	A = 100 mm	A = 350 mm	A = 350 mm
	B = 30 mm	B = 100 mm	B = 100 mm
	C = 12 x 12 mm	C = 16 x 16 mm	C = 20 x 20 mm
Finish	Matt black painted		
Compatibility	Tube ø 8 mm	Tube ø 12 mm	Tube ø 16 mm



Low footrest

Packaged individually.

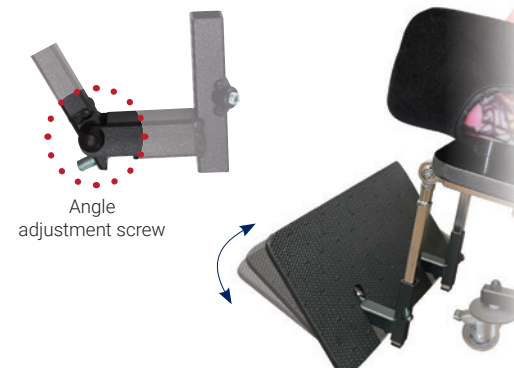
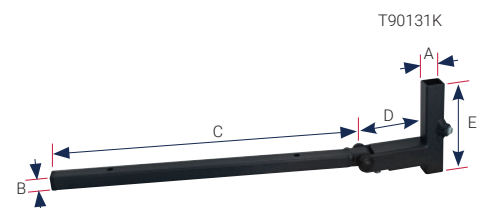
References	RAVOCS8-8-16	RAVOCS8-8-20
Cross-section	A = 16 mm	A = 20 mm
Dimensions	B = 80 mm	B = 80 mm
	C = 12 mm	C = 16 mm
	D = 200 mm	D = 220 mm
Material	Matt black painted steel	



Retractable

Packaged individually.

References	T90131K-16	T90131K-20	T90131KS-20
Dimensions	A = 16 mm	A = 20 mm	A = 20 mm
	B = 12 mm	B = 16 mm	B = 16 mm
	C = 265 mm	C = 315 mm	C = 315 mm
	D = 60 mm	D = 65 mm	D = 30 mm
	E = 80	E = 100 mm	E = 100 mm
Finish	Matt black painted		
Compatibility	Tube ø 12 mm	Tube ø 16 mm	



FOOTREST

Separate

Fixed footrest kit

Packaged in pairs.

References	T90-C114-0	T90-C114-1	T90-C114-2
Dimensions	A = 100 mm B = 300 mm C = 200 mm D = \varnothing 8 mm	A = 350 mm B = 384 mm C = 384 mm D = \varnothing 12 mm	A = 350 mm B = 384 mm C = 384 mm D = \varnothing 16 mm
Finish	chrome finish angle brackets - Matt black painted footrests and slides		
Compatibilities	Tube \varnothing 12 mm	Tube \varnothing 16 mm	Tube \varnothing 20 mm

Articulating footrest kit

Packaged in pairs.

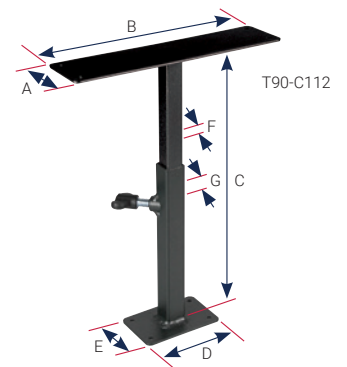
References	T90-C113-0	T90-C113-1	T90-C113-2
Dimensions	A = 100 mm B = 315 mm C = 215 mm D = \varnothing 8 mm	A = 350 mm B = 384 mm C = 384 mm D = \varnothing 12 mm	A = 350 mm B = 384 mm C = 384 mm D = \varnothing 16 mm
Finish	chrome finish angle brackets - Matt black painted footrests and slides		
Compatibilities	Tube \varnothing 12 mm	Tube \varnothing 16 mm	Tube \varnothing 20 mm



Tray brackets or armrests

Packaged in pairs.

References	T90-C112-1	T90-C112-2
Dimensions	A = 50 mm B = 200 mm C = from 160 (intersected) to 350 mm	D = 80 mm E = 50 mm
	F = \varnothing 12 mm G = \varnothing 16 mm	F = \varnothing 16 mm G = \varnothing 20 mm
Finish	Matt black painted	

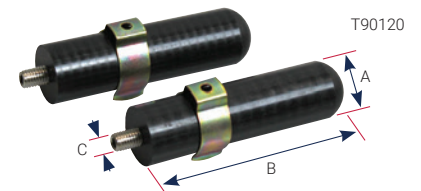


- Height-adjustable base accessories

Clip-on handles

Packaged in pairs.

References	T90120-M6	T90120-M8
Dimensions	A = \varnothing 25 mm B = 95 mm C = M6 mm	A = \varnothing 25 mm B = 95 mm C = M8 mm
	Material and finish: Black plastic	



- Tray stabiliser and transport accessory

Seat reclining angle kit

Packaged individually.

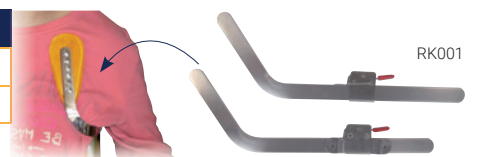
Reference	RAVOC9-1
Max. reclining angle	0° to +25°
Positions	0°/5°/10°/15°/20°/25°
Packaging	Delivered without tray



Rigid infra-clavicular support kit

Packaged in pairs.

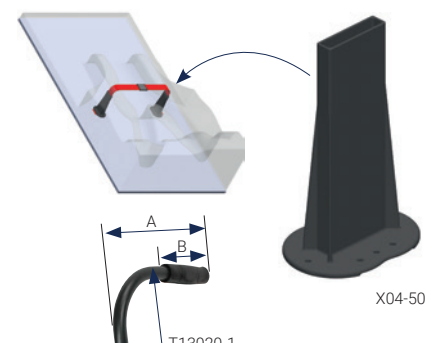
Reference	RK001
Dimensions	260 x 15 mm
Material and finish	Polished stainless steel



Strap stores

Packaged individually.

Reference	X04-50
Dimensions	A = 52.5 mm / B = 10 mm / C = 175 mm
Material and finish	Black polypropylene



Pushing handle

Packaged individually.

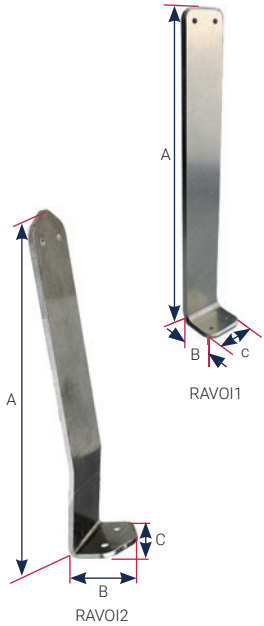
Reference	T13020-1	
Dimensions	A = 340 mm B = 125 mm C = 518 mm	D = \varnothing 20 x 20 mm Thickness 1.5 mm
	Finish: Matt black painted	
Compatibility	Seated position frames: Plimo ² , Echo and Brio	



SPARE PARTS

Brackets

Packaged individually.



References	RAVO11-1	RAVO11-2	RAVO11-3	RAVO11-4	RAVO11-5
Dimensions	A = 95 mm B = 37 mm C = 40 mm	A = 120 mm B = 37 mm C = 40 mm	A = 150 mm B = 37 mm C = 40 mm	A = 190 mm B = 37 mm C = 40 mm	A = 270 mm B = 37 mm C = 40 mm
Material	Aluminium				

References	RAVO12-4	RAVO12-5
Dimensions	A = 185 mm B = 30 mm C = 40 mm	A = 265 mm B = 30 mm C = 40 mm
Material	Aluminium	



Backs for faceplate

Packaged individually.

References	RAVO13-1	RAVO13-2	RAVO13-3
Dimensions	A = 180 mm B = 34 mm C = 3 mm	A = 180 mm B = 44 mm C = 3 mm	A = 180 mm B = 34 mm C = 4 mm
Material	Aluminium		



RAVO171



RAVO181

Clips

Packaged individually.

References	RAVO171-4	RAVO171-5
Cross-section	16 x 2 mm	
Length	86 mm	106 mm
Drilled hole	Ø 4.2 mm	
Thread	M4	
Material	Stainless steel	

References	RAVO181-1	RAVO181-2
Cross-section	16 x 2 mm	
Length	32 mm	48 mm
Drilled hole	Ø 4.2 mm	
Thread	M4	
Material	Stainless steel	



RAVO191-1

Hinge

Packaged individually.

Reference	RAVO191-1
Cross-section	20 x 2 mm
Length	220 mm
Drilled hole	Ø 4 mm
Material	Stainless steel

Extensions

Packaged individually.

References	RAVOI4-185250	RAVOI4-254250
Cross-section	18 x 5 mm	25 x 4 mm
Length	250 mm	
Drilled hole	Ø 4.2 mm	
Material	Aluminium	

Reference	RAVOI5-164250
Cross-section	16 x 4 mm
Length	250 mm
Thread	M4
Material	Aluminium

References	RAVOI6-164250	RAVOI6-164300
Cross-section	16 x 4 mm	
Length	250 mm	300 mm
Drilled hole	Ø 4.2 mm	
Material	Aluminium	

Reference	RAVOI12-163190
Cross-section	16 x 3 mm
Length	190 MM
Drilled hole	Ø 4 mm
Material	Steel



Bushing uprights

Packaged individually.

References	RAVOI10-614157	RAVOI10-614207	RAVOI10-614307
Cross-section	14 x 3 mm		
Dimensions	Length: 157 mm Swivel pin: Ø 6 mm	Length: 207 mm Swivel pin: Ø 6 mm	Length: 307 mm Swivel pin: Ø 6 mm
Material	Steel		



168 Z.A. des Aubrières
49412 SAUMUR Cedex
+33 (0)2 41 50 50 91
info@janton-solutions.com



janton-solutions.com

Rehabilitation



Sports & Leisure

