

# Janton

-Since 1945-

eqwal.

*e*  
**EXCELLENCE**  
*in motion*

— Let's progress to the best together. —

**09.10.23 to 11.10.23**

**📍 Puy du fou**

**COME VISIT US AT OUR STAND**

**DON'T FORGET TO VISIT  
OUR PARTNERS !**

Janton - Distributor for France



Part of the Eqwal Family

**eqwal.**  
Caring for all

STARBLACK  
**Black Edition  
Adaptaters\***



Range of High Resistance, Lightweight aluminium adaptaters, in a catchy matte black look. Give you the possibility to offer full black finish to your most demanding patients.

- Patient weight 125 kg
- Ordering data:**
- B20STBK : Clamp adapter
- CA110STBK : Tibial casting anchor
- B20STBK-200 / B20STBK-400 : Ø 30 tube adapter
- BA350STBK : Extended adapter



**AVAILABLE  
RIGHT NOW!** 



*Lightweight and durable*

*carbone*  
**Carbon Tube\***



Ø 30mm Full Carbon tube  
(high resistance filament winding process)

*Compatibility :*  
STARFLEX / STARBLACK /  
STARMAX / TITANE



- Weight limit 136 kg
- Order No. F1040**
- Dimensions 400 mm - Weight 112 gr
- Part no. F1020**
- Dimensions 200 mm - Weight 64 gr

*carbone*  
**Pneumatic Polycentric  
Knee with Carbon body - C31\***



*Available in  
2 versions*

With pyramid connector

**Order No. C31-CA1**

With sinking anchor

**Order No. C31-CA7**

**LPPR CODE : 2733907**

Rotating proximal adapter

Easy flexion/  
extension  
adjustment

Large  
compression  
chamber

Double pyramid  
system for greater  
adjustability

Flexion : 150°  
Weight limit : 100kg

# ΩMEGA \*

Unilateral water resistant single axis knee joint with Flexion/Extension stops.  
Perfect for post-surgical rehabilitation and/or ligament instability.

## Its strengths :

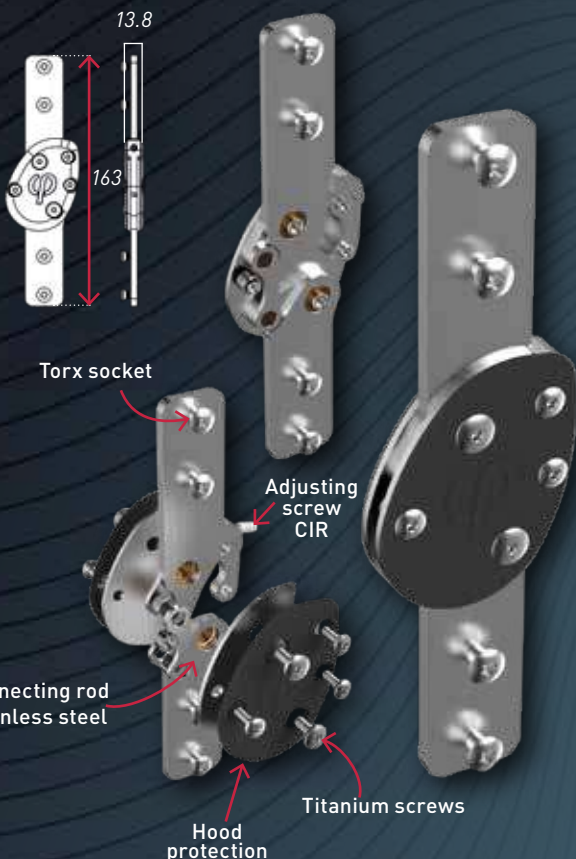
- Flexion/Extension control from 0° up to 70° every 10°.
- For use in damp environments
- Compact and lightweight 204 gr
- Large rotation axis for extreme wear resistance

Order No. PU4I-1E



# Janton

- Depuis 1945 -



# ΨIO \*

Physiological 4-axis polycentric knee joint, reproducing knee joint kinematics.  
Single-post knee brace for correction of ligament instability and gonarthrosis.

## Its strengths :

- Can be used in damp environments
- Possibility to finely adjust sensitivity of knee unlocking according to your patient's level of confidence
- Compact and lightweight 224 gr
- Maximum bending range 150°

Order No. PU3I-1E





# Motilo

The MOTILO is a made-to-measure walker made for children with multiple disabilities in order to ease their mobility. Its corset saddle, adjustable in height and tilt, along with its high quality and nice looking frame are a perfect combination to discover ambulation.

### Its goals are :

- The learning of motor functions not yet acquired,
- Prevent and correct the functional consequences as well as orthopedic deformities coming from muscular imbalances,

The **MOTILO** introduces locomotion to child with multiple disabilities, thus offering the opportunity to move around, have fun and free himself from the usual constraints of his life.

The **MOTILO** is intended for children unable to walk independently and with a trunk hypotonia requiring maintenance.



**ORIGINAL**



*style*

## Strengths

### Motilo «Style» version

- > Removable back rest : ease patient installation in his saddle
- > Removable upholstery that allows washing at 30°C

**Tablet holder**  
with white tablet  
for frame **T0** and **T1**

**No. T90-V112BC1**

with transparent tablet  
for frame **T0** and **T1**

**No. T90-V112TRC1**

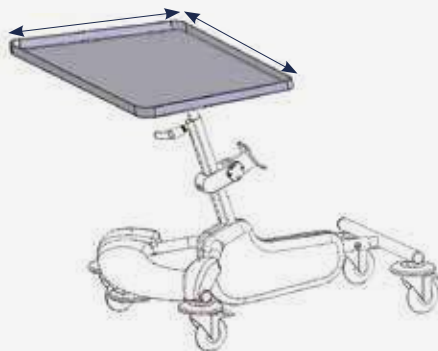
with white tablet  
for frame **T2** and **T3**

**No. T90-V112RBC2**

with transparent tablet  
for frame **T2** and **T3**

**No. T90-V112RTRC2**

Size 1 : 500 x 600 mm  
Size 2 : 600 x 700 mm



**Angled handle**  
the pair

**No. T0040-1**

**Push rod**

**No. T0060**



**Leg separator**

**No. T00ABD**

**Wheel kit**  
*non-directional - for T0*

**No. T0020-1**

*for T1, T2 and T3*

**No. T0020-1**



**All-terrain wheel kit**  
*(withou brake)*

**No. T0070-1**



**Tablet holder**

**No. T0050-1**





World Premiere for **eqwal.**  
Caring for all

# YAO



# Yao



**A new member in Janton rehabilitation family : Yao Crawler**

This new concept completes the Motilo range and offers the youngest patients the possibility to discover ambulation walking on four legs with a concept orthopaedic position.

- Dynamic made to measure shell allowing
- Dissociation of scapula and pelvic belt
- Dynamic tilt adjustment

**Order No. STW2**



# Triskelo



**Mobility device. Podal propulsion tricycle with tailor-made corset-saddle.**

The child can walk alone, allowing the dissociation of the anatomic belts. The Triskelo will be the ideal partner for family walks.

The **TRISKELO** is made for children who have difficulties walking, with a weak trunk support like hemiplegia, spastic diplegia, or cerebral palsy. It will also help children with a fragile autonomous walk, lacking in confidence in their mobility, or with cognitive impairment. It will bring to your child the technical support needed for his learning of mobility and allow his stimulation.

To order a Triskelo, please send us the measurements form that you will find in the attachment to [cfao@groupe-g2m.com](mailto:cfao@groupe-g2m.com).



**Order No. T67K**

*Non-contractual photos*



# Carbon

PERSONALIZED  
COMFORT & DYNAMISM

A durable, efficient and elegant customized carbon lift that meets the needs of patients with foot drop. Its posterior medial structure is strategically positioned to amplify dynamism and optimize patient comfort. Adapts to your patients' needs thanks to 3 categories of blade rigidity. Custom-made from a resin mold or scan.

**•Features :**

- Lightweight, durable carbon construction.
- Fiber orientation provides strategic flexibility and rigidity to enhance performance.
- Comfortably fits most shoes.

## Strengths:

- COMFORTABLE
- RESISTANT
- DYNAMIC
- CUSTOM MADE



Download the FLEXIS flyer with this QR code



# KAFO

CARBON KNEE BRACE

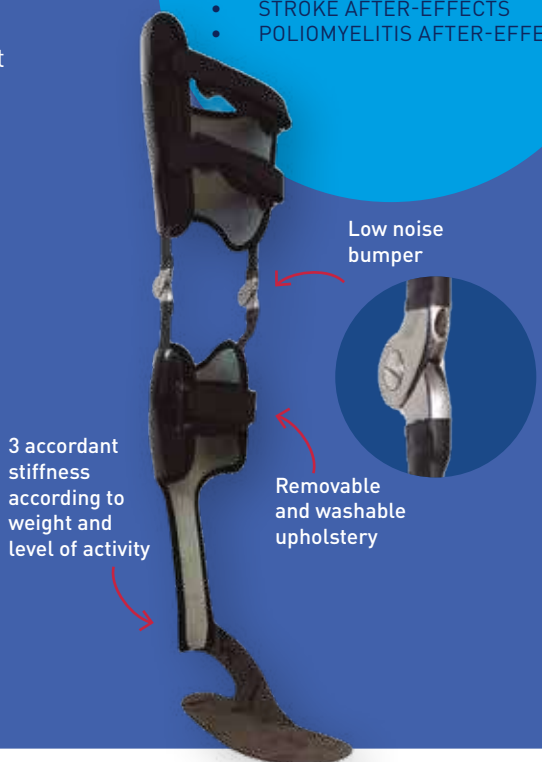
**Flexis KAFO** stabilize and secure the leg during walk. Its offset joints will secure the knee during stance phase while at the same time allow a complete mobility. Its pre-preg carbon conception will combine lightness, resistance and dynamic effect. **Flexis KAFO** is made through a scan and a measurement sheet.

**Characteristics**

- Pre preg carbon KAFO.
- Flexis KAFO is made through a scan and a measurement sheet (20mm x 5mm or 18mm x 4mm).
- Ease of donning of the anterior valves.
- Low-noise knee joints.
- 3D upholstery easily removable. Can be washed at 30°C.
- Choice of 3 different carbon blades to adapt energy return.

## Pathology

- HERMIPLEGIA
- HERMIPARESIS
- MULTIPLE SCLEROSIS
- INCOMPLETE PARAPLEGIA
- STROKE AFTER-EFFECTS
- POLIOMYELITIS AFTER-EFFECTS





# SKB

## SKB CARBON KNEE BRACE

Anterior and posterior valve with **polycentric**, stainless steel **joints** and adjustable flexion/extension stops.

### INDICATIONS

- Anterior and/or posterior cruciate ligament
- Post-traumatic functional treatment
- Lateral knee stabilization after sprain

Order No. 50136SKBPU



**Janton**  
-Since 1945-  
C-FAB

## From basic milling

Our **know-how** enables us to meet your **needs**, whatever the degree of manufacturing required. From grinding to finishing, Janton puts its **expertise at your service**.

## ... to finished device

*Conset seat with cover*



*In milled foam painted and covered*



## POSTURE SEATS

# TRACES



The incredibly versatile **TRACES** comes with unique adjustment systems enabling it to be used on all types of terrain. The seat insert and personalized adjustments provide optimal comfort for the user. The wheels can be placed in two different positions to make it easier to get around in urban areas and the countryside. The rear shock absorber makes it easier to get over obstacles and absorbs bumps. The seat is adjusted without the need for any tools and without having to get out of the seat. The moulded seat and sleek frame of the Traces enhances the body lines.

## Strengths:

- VERSATILE
- ERGONOMIC
- EXTREMELY COMFORTABLE

## Characteristics

- CONTEMPORARY AND CUSTOMIZABLE DESIGN
- MODULAR AND ADAPTIVE CARBON SEAT
- RANGE OF WHEELS, RIMS AND HAND RIMS AVAILABLE
- TOOL FREE ADJUSTMENT
- SHOCK ABSORBER TO ABSORB BUMPS
- 2 WHEEL POSITIONS



# Hippolib

**HIPPOLIB** is a system designed to facilitate access to learning horse riding. It is designed such that it can also be used for people with disabilities.

The rear part is available in two different shapes:

- **V-TRAK adjustable backrest** (for personalized support)
- **Pelvic brace** (for pathologies that require only minor support)



168 ZA des Aubrières - 49412 SAUMUR Cedex  
Tél. : +33 (0)2 41 50 50 91 - Fax : +33 (0)2 41 83 05 82  
info@groupe-g2m.com